



Clutch Brake Express™

SB Series Power Off Brakes shipped within 24 - 48 hours!

Need it fast? Take advantage of the Clutch Brake Express Program for quick delivery. Thomson Deltran SB Series Power Off Brakes now ship within 24 - 48 hours!

SB Series Power Off Brakes are the most popular and robust SB Series Power Off Brakes offered at Thomson featuring:

- High temperature insulated lead-wires
- Long-life brake lining
- Low inertia rotating components, allowing higher acceleration rates
- UL Class H insulation system, epoxy sealed for efficient operation in extreme environments
- Spline drive construction to withstand high impact stresses imparted by servo systems and to minimize system backlash
- Through holes for internal/external/reversible mounting flexibility
- Other coil voltages and bore sizes available

Save time and money when a machine goes down by having your replacement brake shipped in 24 - 48 hours.

For immediate assistance:

E-mail: thomson@thomsonlinear.com

Phone: 1-540-633-3549

Fax: 1-540-639-4162

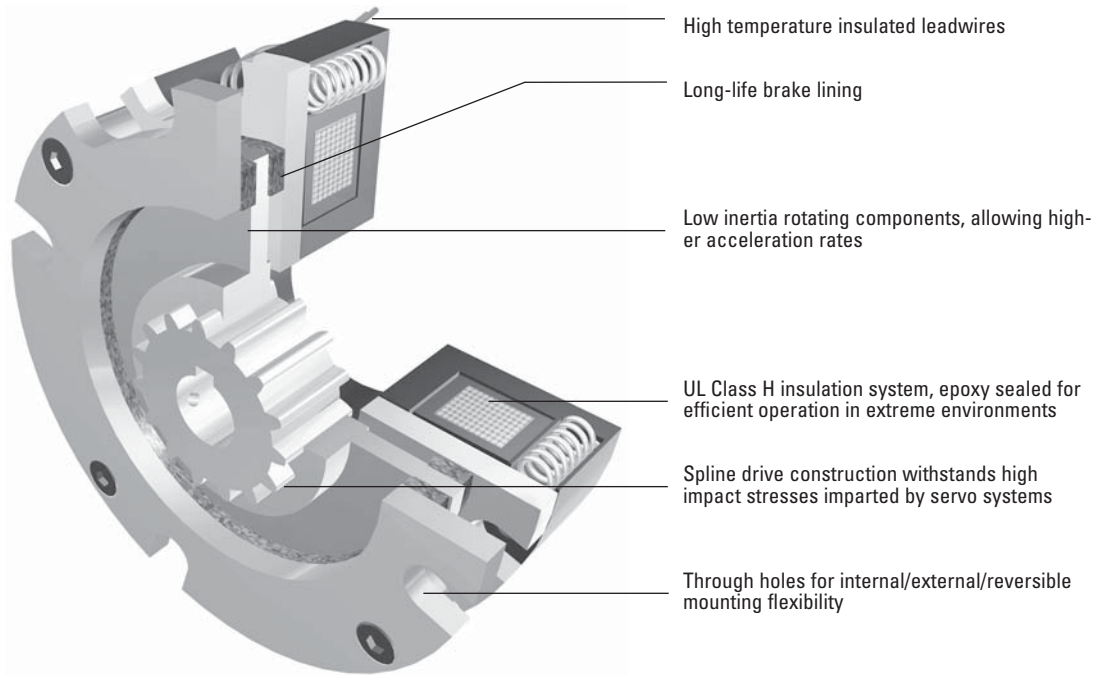
Available Products

SB-15	24 VDC: 1.5" OD 5 lb in Min. Torque	0.250 Short Hub / Long Hub 6mm Short Hub / Long Hub
SB-17	24 VDC: 1.79" OD 10 lb in Min. Torque	0.250 Short Hub / Long Hub 6mm Short Hub / Long Hub
SB-19	24 VDC: 2" OD 18 lb in Min. Torque	0.250 Short Hub / Long Hub 6mm Short Hub / Long Hub
SB-23	24 VDC: 2.36" OD 35 lb in Min. Torque	0.3125 Short Hub / Long Hub 8 mm Short Hub / Long Hub
SB-26	24 VDC: 2.87" OD 40 lb in Min. Torque	0.375 Short Hub / Long Hub
SB-28	24 VDC: 3.03" OD 80 lb in Min. Torque	0.375 Short Hub / Long Hub 10 mm Short Hub / Long Hub
SB-30	24 VDC: 3.35" OD 140 lb in Min. Torque	0.375 Short Hub / Long Hub 10 mm Short Hub / Long Hub
SB-40	24 VDC: 4.25" OD 265 lb in Min. Torque	0.375 Short Hub / Long Hub 12 mm Short Hub / Long Hub
SB-50	24 VDC: 5.0" OD 350 lb in Min. Torque	0.625 Short Hub / Long Hub 16 mm Short Hub / Long Hub
SB-70	24 VDC: 7.25" OD 1200 lb in Min. Torque	0.750 Short Hub / Long Hub 30 mm Short Hub / Long Hub

DELTRAN

SB Series Power Off Brakes

Spring-set electromagnetic power-off brakes provide a safe, efficient means of stopping and/or holding a load in the absence of power. While the field (electromagnet) assembly is fixed and prevented from rotating, the rotor assembly is secured to the shaft. In the absence of power, the fixed and rotating components are engaged, thus stopping and/or holding the load. When the coil is energized, rotating components are disengaged thus allowing the shaft to freely rotate.



General Notes

- Actual stopping times depend on application variables, manufacturing tolerances and friction material wear. Please consult factory for evaluation of actual use before applying specific values to your application.
- Consult factory for additional options.
- Working air gap should be checked periodically to insure proper operation. If it exceeds maximum recommended dimensions, the clutch or brake may not function properly.
- All friction faces must be kept free of grease and oil for proper operation.
- Flying leads are provided as standard, terminal style connection available upon request.
- Coil of 24 volts are provided as standard, other coil voltages are available upon request.

Clutch_Brake_Express_SB_Series_BREN-4016-01A | 2015-02-19 ML
Specifications are subject to change without notice. It is the responsibility of the product user to determine the suitability of this product for a specific application. All trademarks property of their respective owners.
© 2009 Thomson Industries, Inc.