

# INFRANOR MAVILOR

## BL-270

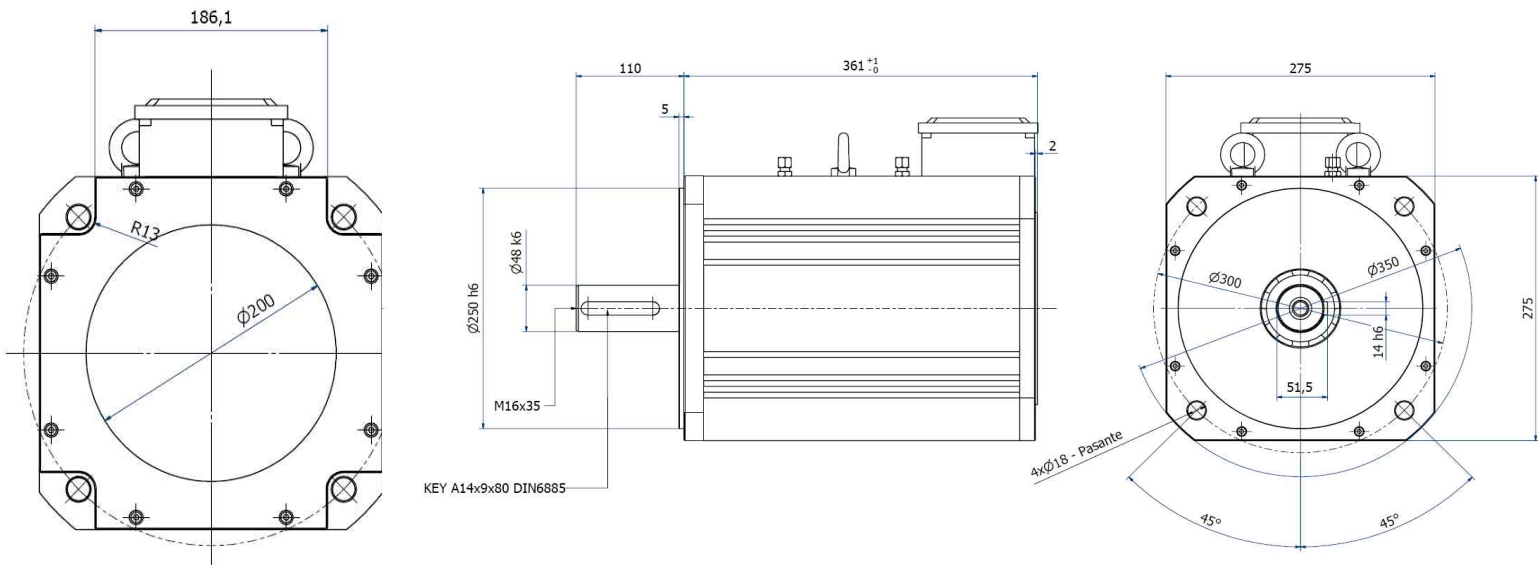
### FEATURES

- Motor with water cooling system (optional)
- Compact size
- High Torque
- Low Inertia
- High power low volumen
- CE certified
- IP-65

### TECHNICAL DATA

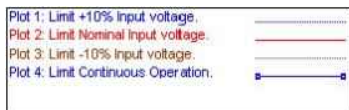
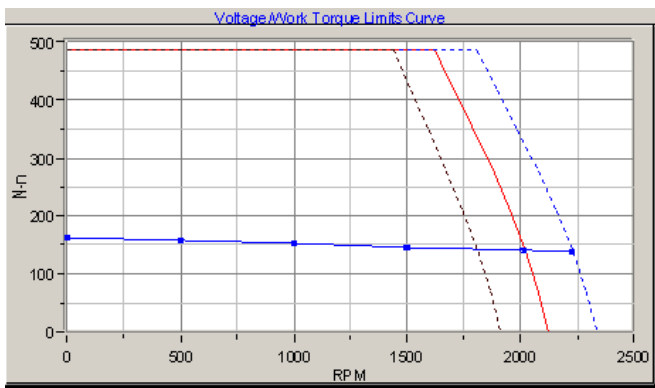
CHARACTERISTICS BLS-270	SYMBOL	UNITS	Without cooling System	With cooling system
MAX SPEED	nm	rpm	2000	2000
STALL TORQUE (+/-10%)	Ms	Nm	162	215
STALL CURRENT (+/-10%)	Is	A rms	95,44	126,66
PEAK TORQUE (+/-10%)	Mj	Nm	486	486
TORQUE-WEIGHT RATIO	Tw	Nm/kg	1,94	2,57
EMF CONSTANT (+/-5%)	Ke	Vs/rad rms	0,98	0,98
TORQUE CONSTANT (+/-5%)	Kt	Nm/A rms	1,7	1,7
RELUCTANCE TORQUE	Tr	Nm	<1,5%	<1,5%
WINDING RESISTANCE (+/-5%)	R	$\Omega$	0,07	0,07
WINDING INDUCTANCE (+/-5%)	L	mH	0,8	0,8
ROTOR INERTIA	J	$\text{kgm}^2 \cdot 10^{-3}$	62	62
MECHANICAL TIME CONSTANT	Tm	ms	2,61	2,61
ELECTRICAL TIME CONSTANT	Te	ms	11,43	11,43
MASS	M	kg	83,5	83,5
Nº OF POLES			6	6
INSULATION			CLASS-F	CLASS-F
PROTECTION			IP-65	IP-65

## MECHANICAL DIMENSIONS



## TORQUE CURVES

Without  
cooling System



With  
cooling system

