

BL- 30

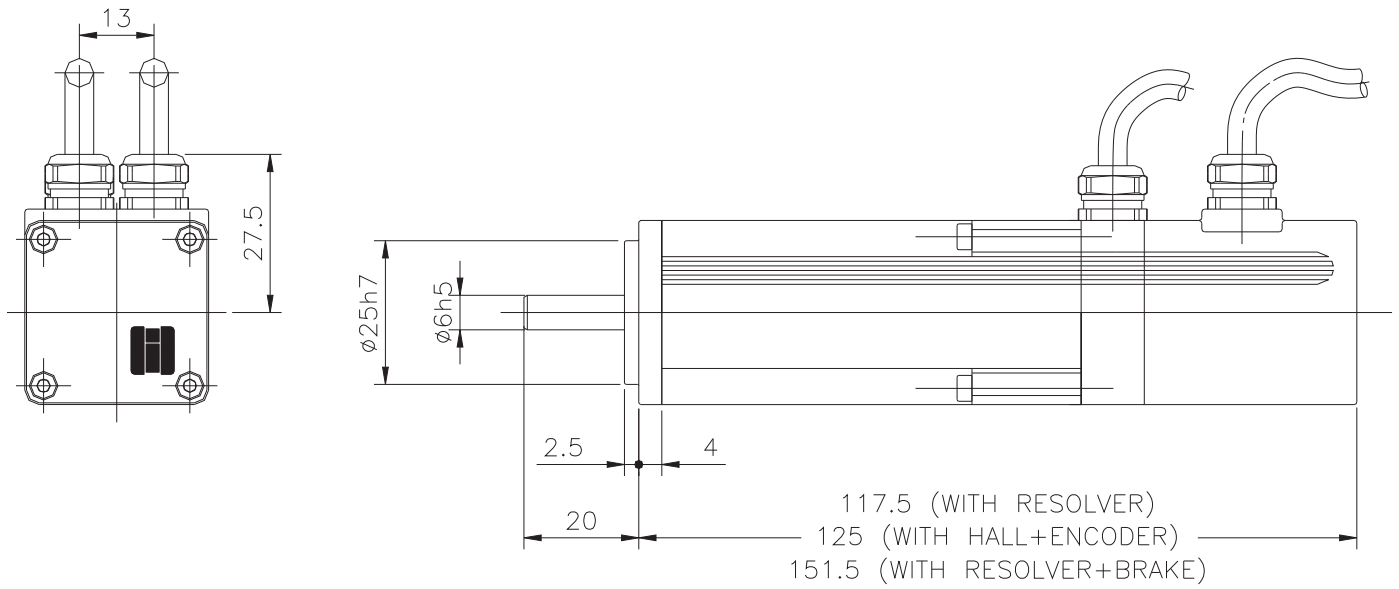
FEATURES

- High dynamic response.
- Full speed condition, not limited by the "Brush Sparking effect".
- High thermal and dynamic characteristics,
- Very low maintenance

TECHNICAL DATA

CHARACTERISTICS	SYMBOL	UNITS	BLS-30	BLT-30
MAX SPEED	n	r.p.m	10000	10000
STALL TORQUE (+/-10%)	Ms	Nm	0.18	0.18
STALL CURRENT (+/-10%) (*)	Is	A	0.69	0.85
PEAK TORQUE (+/-10%)	Mj	Nm	0.72	0.72
TORQUE-WEIGHT RATIO	Tw	Nm/kg	0.45	0.45
EMF CONSTANT (+/-5%) (*)	Ke	Vs/rad	0.15	0.21
TORQUE CONSTANT (+/-5%) (*)	Kt	Nm/A	0.26	0.21
RELUCTANCE TORQUE (**)	Tr	Nm	<9%	<9%
WINDING RESISTANCE (+/-5%)	R(ph-ph)		50	50
WINDING INDUCTANCE (+/-5%)	L(ph-ph)	mH	17	17
ROTOR INERTIA	J	kgm ² 10 ⁻³	0.0023	0.0023
MECHANICAL TIME CONSTANT	Tm	ms	2.95	2.60
ELECTRICAL TIME CONSTANT	Te	ms	0.34	0.34
THERMAL TIME CONSTANT	Tth	s	900	900
THERMAL RESISTANCE	Rth	°C/W	2.20	2.19
MASS	M	kg	0.40	0.40
RADIAL LOAD	Fr	N	75	75
AXIAL LOAD	Fa	N	40	40
INSULATION			class-F	class-F
PROTECTION			IP-65	IP-65
ALUMINIUM HEAT SINK PLATE			150x150x10	150x150x10

MECHANICAL DIMENSIONS



TORQUE CURVES

BL-30

