



Electrak[®] HD

Linear Actuator with Flexible Onboard Controls, Superior Performance and Unmatched Environmental Protection

NEW! Available with Higher Load Capacity and Synchronization Option



DISTRIBUIDOR
AUTORIZADO

MEX (55) 53 63 23 31 MTY (81) 83 54 10 18
QRO (442) 1 95 72 60 ventas@industrialmagza.com

THOMSON[®]

Linear Motion. Optimized.[™]

Electrak® HD – Superior Performance Linear Actuator

Higher power, longer stroke, onboard controls with optional J1939 CAN bus and unmatched environmental protection

The Electrak HD is a new electric linear actuator platform with onboard electronics, which can eliminate the need for standalone controls. Higher power opens a new, wider range of hydraulic applications to electric conversion. And it meets the most extreme OEM component environmental acceptance tests, including IP69K.

Industry-Leading, Onboard Electronics

The new Electrak Modular Control System (EMCS) is the foundation for the best onboard controls currently available in electric linear actuators and includes optional, built-in J1939 CAN bus support.

The feature-rich modular design for all control and feedback options is simple to use and built within one compact housing. It improves controllability, saves space and reduces installation time and total cost.

- Built-in J1939 CAN bus option enhances controllability, can eliminate individual controls and simplifies OEM machine design
- Electronic trip point calibration ensures consistent overload protection
- Constant monitoring of critical parameters such as end-of-stroke, voltage, current and temperature is standard on all HD actuators
- Built-in dynamic braking reduces coast at the end of stroke, improving repeatability
- Optional low-level switching with automatic sleep mode reduces footprint, lowers costs and boosts circuit isolation
- Optional end-of-stroke indication output for customer use, such as interlocks
- **NEW!** Optional synchronization feature allows for motion integration of two or more actuators

Superior Performance

Higher power and longer stroke lengths enable Electrak HD to tackle applications outside the range of other electric linear actuators.

- **NEW!** Higher load ranges up to 16 kN (3600 lbs.) are ideal for hydraulic-to-electric conversion applications
- Stroke lengths up to 1 m (39 in.) for models up to 10 kN / 500 mm (20 in.) for 16 kN
- Efficient actuator design, including a high-quality ball screw, reduces current draw by up to 20%



Unrivalled Environmental Protection

Electrak HD is tested to meet and exceed the toughest OEM mechanical and electronic component acceptance tests on the market today.

- IP69K (static), IP67 (static) and IP66 (dynamic) ratings prove Electrak HD can withstand the harshest environments
- Capable of operating in a wide temperature range from -40°C to +85°C (-40°F to +185°F)
- Salt spray tested for 500 hours
- CE, RoHS and REACH (EU) compliant
- Rated for IP-X6 (dynamic) during water splash at +10°C (+50°F) and an equalized actuator temperature of +85°C (+185°F)

Additional Standard Features

- Integrated manual override
- Standard anti-rotation actuation
- Integrated thermal overload protection
- Load lock in case of ball nut overload failure
- Flexible front and rear clevis options



How Thomson Built a World-Class Linear Actuator

1. Start with the proven, rugged Electrak® electric linear actuator.
2. Add state-of-the-art onboard controls, feedback, J1939 CAN bus and eliminate the need for standalone controls.
3. Boost the power, increase stroke lengths and reduce current draw.
4. Design it all into a more compact envelope with the best environmental protections on the market today.

INDUSTRY-LEADING ONBOARD CONTROLS

The new Electrak Modular Control System (EMCS) is the foundation of the best onboard controls available today for electric linear actuators and includes optional, built-in J1939 CAN bus support.

1 EMCS

Electronic Monitoring Package (standard)

NEW! Synchronization Option

End-of-Stroke Indication Output Option

Analog Position Output Option

Digital Position Output Option

Low-Level Signal Motor Switching Option

J1939 CAN Bus Control Option

2 Built-in End-of-Stroke Limit Switches

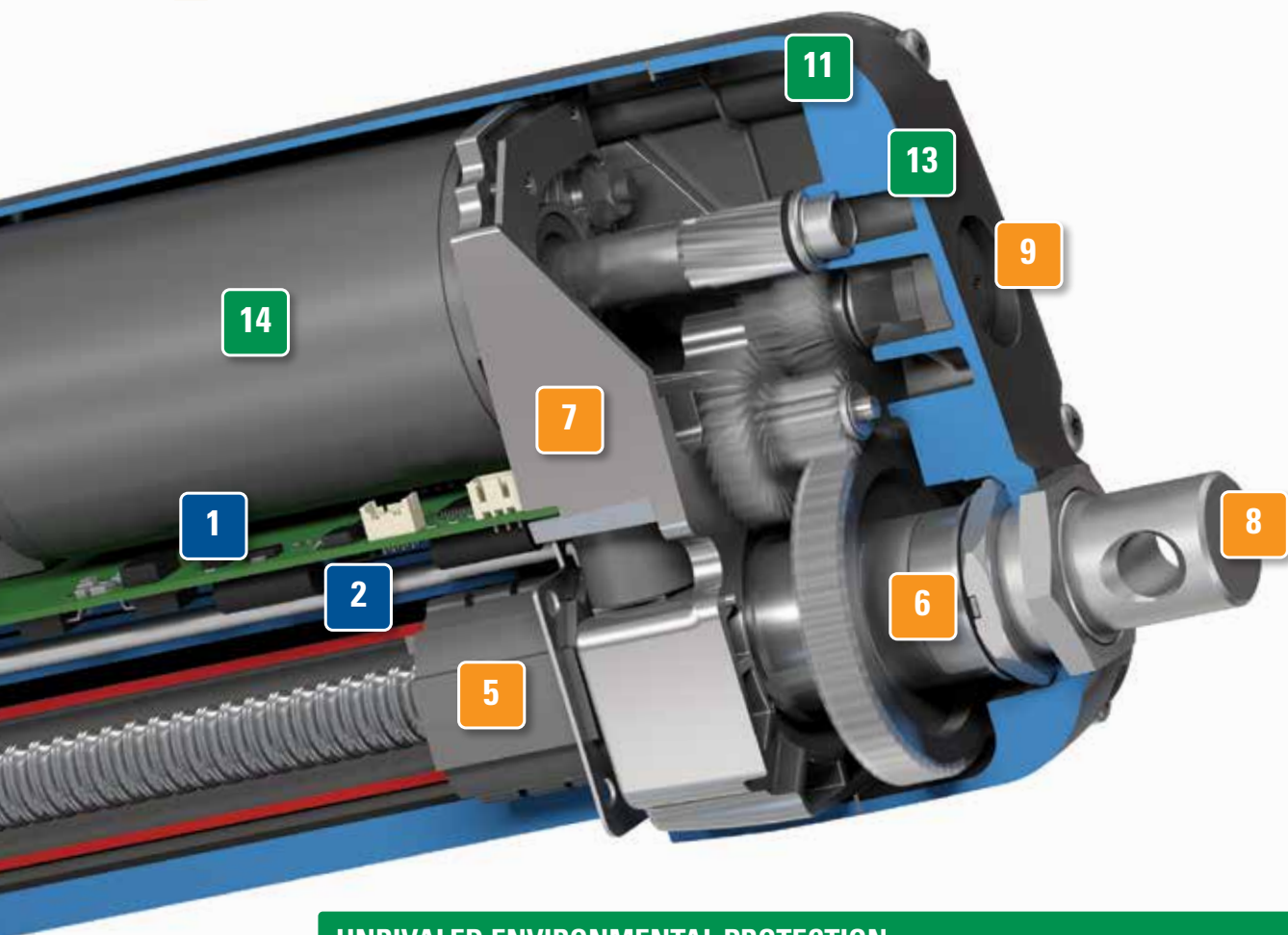
3 Mounting Slots for External Limit Switches



SUPERIOR PERFORMANCE

Higher power and longer stroke lengths enable Electrak HD to tackle applications outside the range of other electric linear actuators.

- 4 Modular Cabling
- 5 Standard Anti-Rotation Feature
- 6 Static Load Holding Brake
- 7 Robust Zinc Housing
- 8 Large Variety of Adapters
- 9 Integrated Manual Override
- 10 High-Efficiency Ball Screw Assembly



UNRIVALED ENVIRONMENTAL PROTECTION

Electrak HD is tested to meet and exceed the toughest OEM mechanical and electronic component acceptance tests on the market today.

- 11 IP69K/IP67/IP66 Protection Class
- 12 Stainless Steel Extension Tube
- 13 Salt Spray Tested for 500 Hours
- 14 Large Operating Temperature Range
- 15 Hard-Coat Anodized Aluminum Cover Tube

Smart Onboard Electronics for Easier Control

Thomson's Electrak Modular Control System (EMCS) is built into every HD actuator and serves as the foundation for the best onboard controls currently available on the market, including optional J1939 CAN bus.

Industry-Leading Onboard Electronics

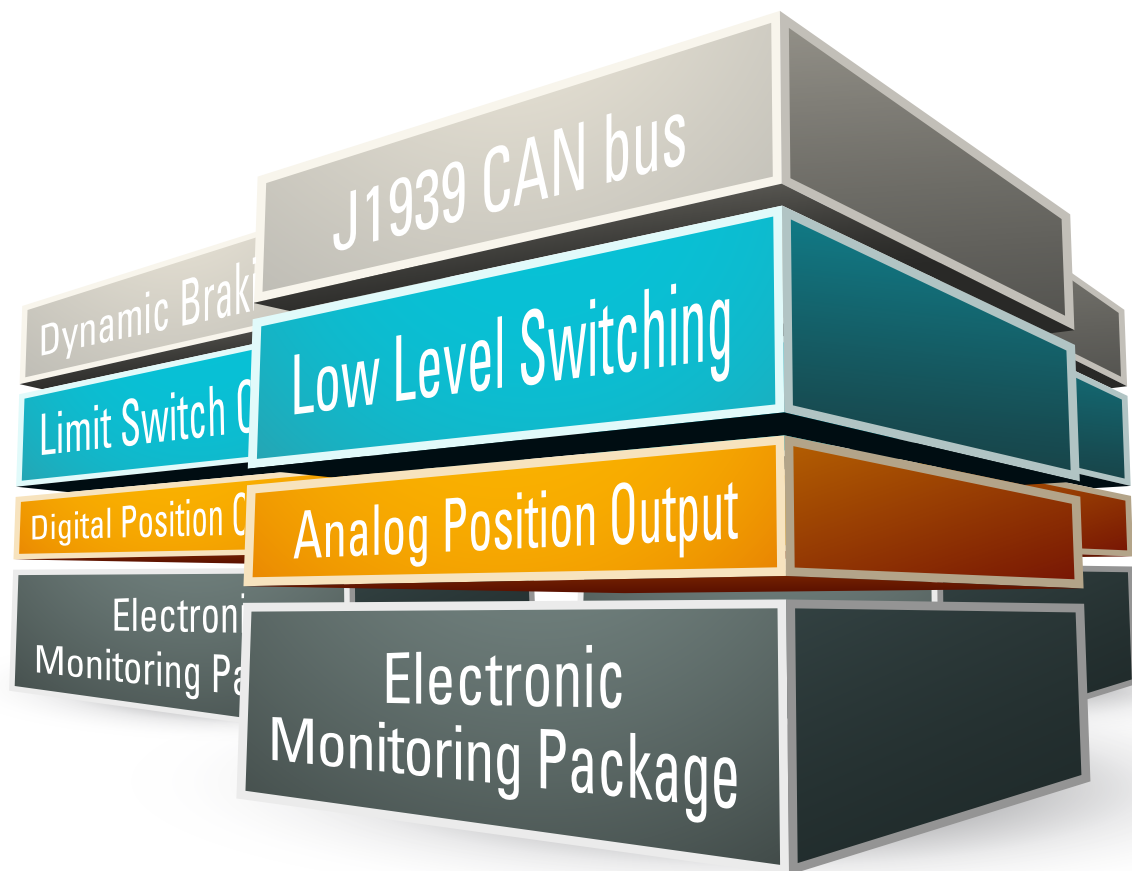
EMCS is the culmination of decades of global design and application engineering in some of the toughest environments.

Electronic Monitoring Package – Standard on all Electrak HD Actuators

Safety comes first. Each HD electric linear actuator is equipped with the Electronic Monitoring Package, which will constantly monitor critical parameters and take appropriate action as needed. Each unit will reset automatically when conditions return to normal, allowing for operation to continue.

A Wide Range of Optional Control Features Within the Same Compact Envelope

Optional control functions can eliminate the need for external controls, saving design and installation time, as well as space and installed cost. A generous selection of control configurations can tailor HD to fit a wide breadth of heavy duty applications. The available control configurations are described on the next page and more details, including wiring diagrams for each option, begin on page 24.



Electronic Monitoring Package Standard Features

Current Monitoring

A critical safety feature that shuts down the actuator on overload and eliminates the need for the traditional mechanical clutch.

Voltage and Temperature Monitoring

Continuous monitoring protects the actuator by preventing motion if outside normal ranges.

Temperature Compensation

Boosts productivity by enabling normal operation at lower temperatures without nuisance tripping.

Load Trip Point Calibration

Each Electrak HD actuator is individually calibrated at assembly to ensure a repeatable overload trip point.

Internal End-of-Stroke Limit Switches

Built in to each HD actuator, they ensure smooth, repeatable operation and protect both connected equipment and the actuator.

End-of-Stroke Dynamic Braking

Enables quick, end-of-stroke stops for more repeatable movements when loads would traditionally cause coasting.

Optional Control Features

J1939 CAN Bus

Allows plug and play connectivity on your already established J1939 network.

Synchronization Option

Enables motion integration of two or more actuators.

Mid-Stroke Dynamic Braking

Standard with the low-level switching or CAN bus options. Reduces coast, improving repeatability.

Low-Level Switching

Improves safety, saves energy with an auto sleep feature and simplifies design by using low current (< 22 mA) signals. Its soft start improves the smoothness of the move profile.

Limit Switch Output

Confirms successful operation by indicating the actuator is fully extended or retracted.

Analog Position Output

A high-quality potentiometer with essentially infinite resolution and low noise provides a voltage signal for position and direction feedback.

Digital Position Output

An encoder provides a single-channel pulse train for position and speed feedback, which can be used to allow synchronization via customer control.

Control Option Combinations

Code	Control Combination Possibilities	Code	Control Combination Possibilities
EXX	Electric Monitoring Package only	LXX	EXX + Low-Level Signal Motor Switching
ELX	EXX + End-of-Stroke Indication Output	LLX	EXX + LXX + End-of-Stroke Indication Output
EXP	EXX + Analog Position Output	LXP	EXX + LXX + Analog Position Output
EXD	EXX + Digital Position Output	CNO	J1939 CAN Bus Control + Open-Loop Speed Control
ELP	ELX + Analog Position Output	SYN	Synchronization Option
ELD	ELX + Digital Position Output		

Bus Communication – The Future of Actuator Control

Controlling an actuator over a network bus opens the door to breakthrough opportunities in machine design. More control, monitoring and feedback options can eliminate the need for separate controls. These options will also simplify design, diagnostic feedback and installation while reducing installed costs.

The built-in CAN bus option makes it possible to communicate with Electrak® HD electric linear actuators over a simple two-wire network.

CAN Bus in Practice

Electrak HD uses J1939 CAN bus, a well-known, mature bus standard widely used in the construction and agriculture industries. Up to 8 Electrak HD actuators can be connected to the same controller and to other CAN bus controls in the network.

Complex, real-time interactions between multiple actuators and related systems are now much simpler to monitor and control.

Application Examples

- Check position of doors and hatches and take action depending on the situation
- Monitor the temperature, overload condition or voltage variations, then take action across the network as needed. Examples: start ventilation, reduce speed or stop an operation.
- Confirm when position or other criteria are met
- Synchronize the motion of several actuators

CAN

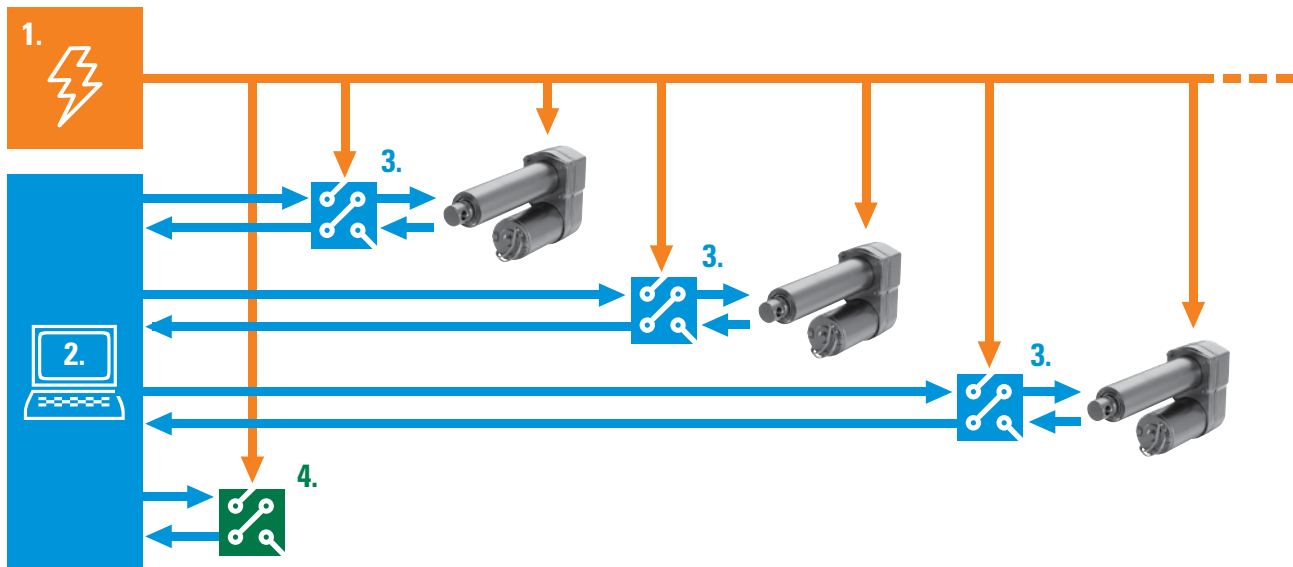
Benefits of CAN Bus Controls

- Better controllability – more complex, precisely controlled motion
- Improved safety – feedback in real-time with all operations verified
- Shorter design cycles and installation time – CAN bus means minimal wiring, no extra control boxes and quick connection to existing networks
- Greater flexibility – use the same actuator with minor program edits for multiple applications instead of designing for unique actuators and controls for every type of application
- Reduced costs – all of the above will lead to reduced design, component, installation, operation and maintenance costs

Control Architecture With and Without CAN Bus

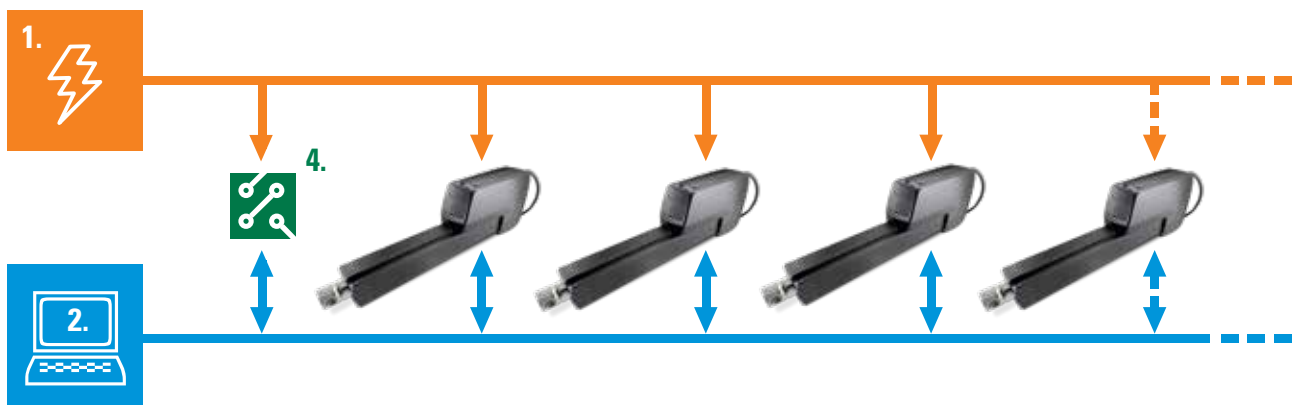
System Without CAN Bus

- A power (1) is distributed to each device
- A main control (2) system communicates separately with an individual control (3) box connected to an actuator. Each instance may require individual design, configuration, wiring and installation.
- Other equipment (4) that needs to be controlled or integrated with the actuators requires separate controls with more design and configuration required



System With CAN Bus

- A control system and actuators with CAN bus can communicate directly to each other. Adding additional, separately configured actuators is fast and easy. Only the power and a two-wire bus cable are needed to extend the network.
- Any other equipment with CAN bus can be connected to the bus and communicate directly
- The result is a less complex system to design, better performance and controllability, and reduced installation time and overall cost



Add Even More Control and Power with the Synchronization Option

Electrak HD's control features undergo thorough testing at Thomson to ensure your machines are prepared for countless application challenges – both expected and unexpected. With the new synchronization option, machine designers are now able to easily conquer not only heavier loads but the sometimes unforeseen obstacle of actuating uneven loads as well.

Not all applications present machine designers with ideal conditions in which to work. For example, a load requiring actuation may be much heavier on one end, which could lead to potential damage to the machine or its components if handled improperly.

To address situations such as this, the synchronization feature allows two or more Electrak HD units to share and evenly distribute a load. This capability, which can be utilized with the simple flip of a switch, opens up new application opportunities where a single HD actuator cannot handle the load.

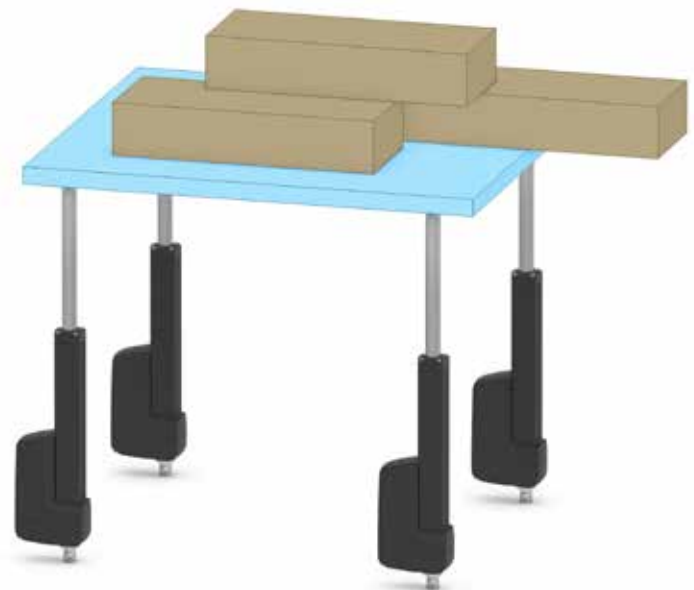
At the same time, the use of multiple, heavy duty HD actuators allows users to electrify additional movement with their loads compared to hydraulic solutions.

Benefits of Synchronization

- No more “bouncing.” When multiple actuators with synchronization are installed, designers can take advantage of a more stable and potentially quicker lift, no additional guides, and improved handling of uneven loads.
- Installation is simple and lowers the complexity of wiring up the system since the actuators have integrated controls for the synchronization feature (as opposed to an external sync control).

WHY SYNCHRONIZE?

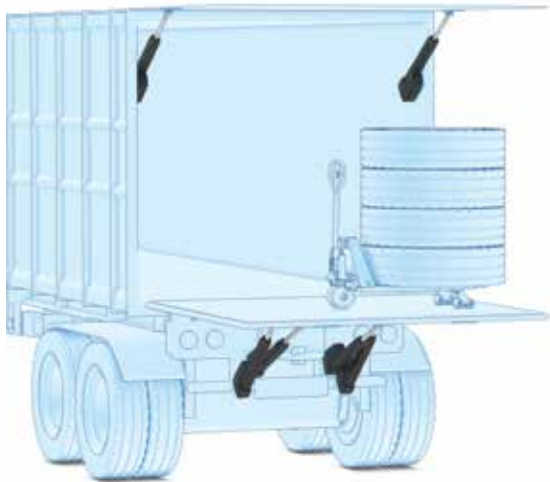
Handle uneven or awkward loads
Lift heavier loads
Integrate movement of multiple end points
Eliminate mechanical linkage



Each Electrak HD can push or pull up to its maximum dynamic load capacity in an effort to automate an uneven load in a synchronized fashion.

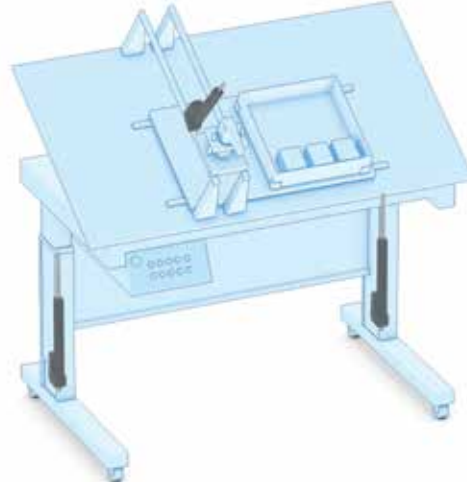
Synchronization Applications

Door/Hatch Lifts



Utilizing synchronization for mobile lifting platforms on vehicles provides a robust, reliable solution without the complexity and maintenance requirements of a traditional hydraulic solution.

Assembly Stations



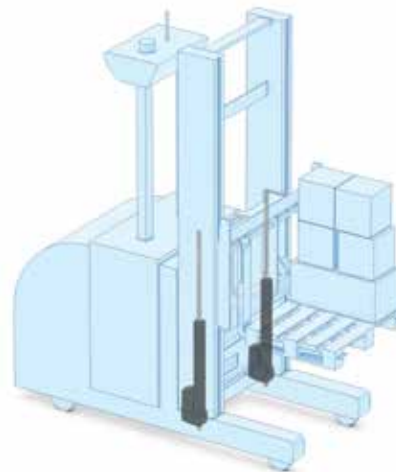
Placing the Electrak HD with synchronization into your ergonomic applications ensures a stable, effective lift for off-center or awkward loads.

Solar Panels



The Electrak HD is an industrial solution that can handle heavy loads – such as large solar panels – in rugged installations. These heavier loads, which would typically require structural support and larger actuation solutions, can be easily lifted with multiple HD actuators in sync.

Automated Guided Vehicles



Applications using automation can benefit from internal condition monitoring with every HD actuator. This keeps the actuators running within rated specification and shuts them down if temperatures rise, loads are exceeded or input voltage is insufficient.

Electrak® HD – Smarter, Stronger, Longer

In addition to advanced control features, the Electrak HD offers 50% higher load capacity and 60% longer stroke lengths than previous designs, and is faster than the competition at comparable loads. This new, extended envelope of operation also opens a larger range of hydraulic-to-electric application conversions.



Electrak HD offers smart design solutions, like built-in cable management, an integrated connector and a manual override feature on every actuator.



Building on the capabilities of the Electrak 10, the workhorse of electric actuators for decades, the Electrak HD offers onboard controls, higher load

capacity (up to 16 kN [3600 lbs.]), longer strokes (up to 1 m [39 in.] / 500 mm [20 in.] for 16 kN) and higher speeds.

Ready to Work in Extreme Environments

The Electrak HD is well suited for heavy duty, industrial applications, including conversion of hydraulic to electric actuation. It shows its mettle when used under the harshest conditions. Each HD actuator is designed to meet and exceed the toughest OEM mechanical and electrical components tests, including IP69K.

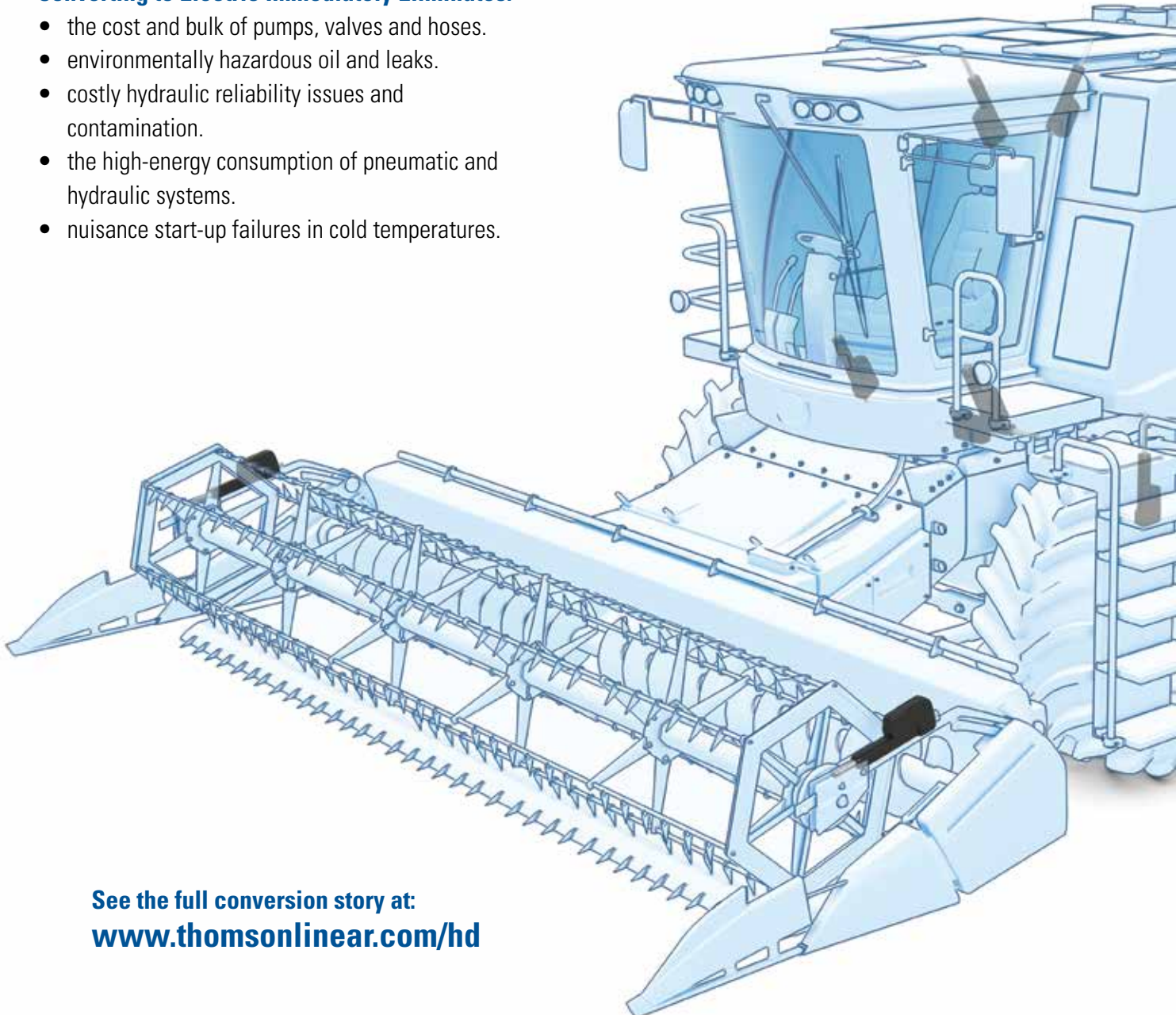


Accelerated Trend Toward Electric Conversions

Once dominated by manual, pneumatic and hydraulic systems, mobile on- and off-highway equipment is increasingly equipped with electric actuators to automate many tasks. Electric linear actuators are easier to integrate with modern computer-based control systems and are precisely controlled. They consume a smaller footprint and are cleaner than both pneumatic and hydraulic systems.

Converting to Electric Immediately Eliminates:

- the cost and bulk of pumps, valves and hoses.
- environmentally hazardous oil and leaks.
- costly hydraulic reliability issues and contamination.
- the high-energy consumption of pneumatic and hydraulic systems.
- nuisance start-up failures in cold temperatures.

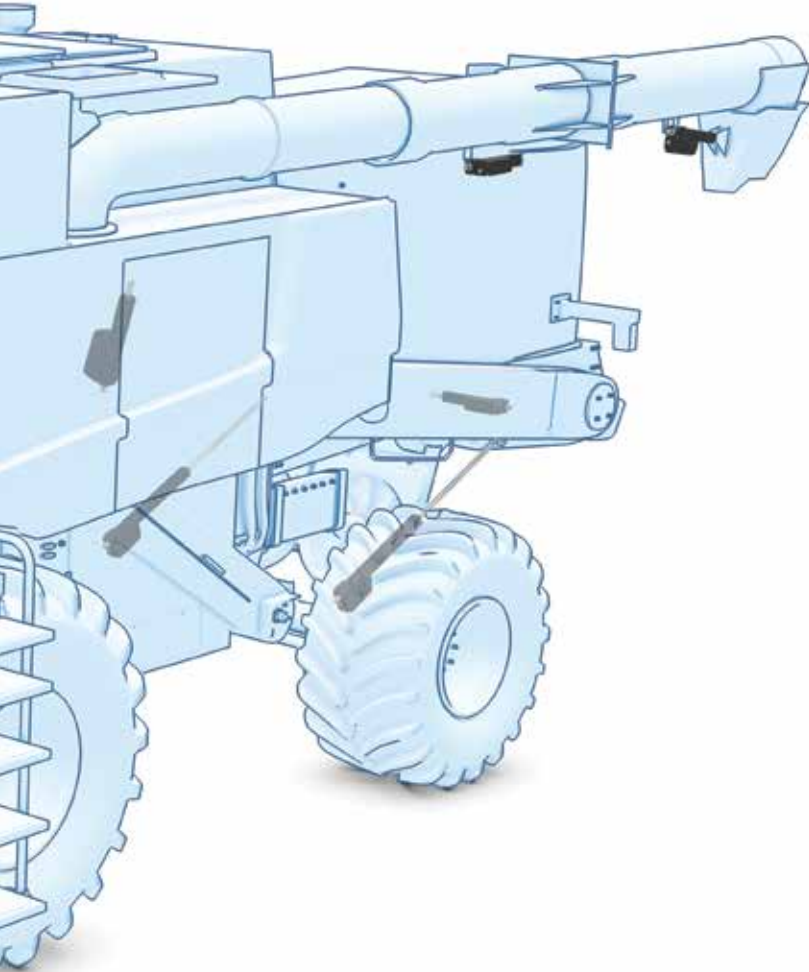


See the full conversion story at:
www.thomsonlinear.com/hd

Easier Installation, Superior Control and Less Complexity

Simpler, Smaller and Faster to Install

- Electric actuation requires fewer components than hydraulic or pneumatic systems for faster and easier installation
- Component costs are less than in comparable hydraulic or pneumatic systems
- A smaller footprint simplifies and speeds design



Easier Control, Better Accuracy

- All-electric components mean easier integration, fewer control components and less complexity
- Electric actuators react quicker and more predictably, and will not drift when power is off

Lower Energy Costs

- Electric motors are intrinsically more efficient than pneumatic or hydraulic motors
- No need to up-size the existing system to account for potential parasitic power draw
- No power required to hold load-reducing power consumption

Less Maintenance

- No hydraulic pumps, valves or hoses means reduced downtime with fewer parts to service and replace
- Self-contained units with smart, onboard electronics require zero maintenance, adding design flexibility in component placement
- Electric actuation eliminates the cost and hassle associated with fluid maintenance

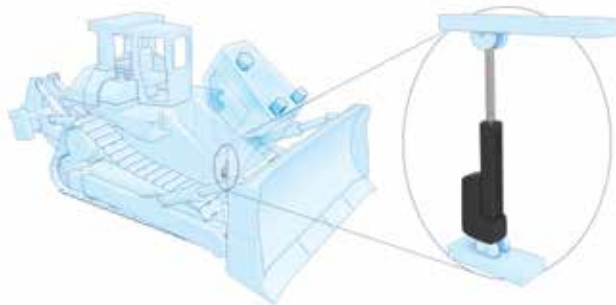
Cleaner, Quieter, Healthier Environment

- No pumps, fluids, chemicals or solvents translates into a cleaner and quieter workspace
- A compact design requires fewer materials to be used in production
- Regional manufacturing and distribution plants minimize freight and reduce the carbon footprint

Improving Machine Design with Electric Actuation

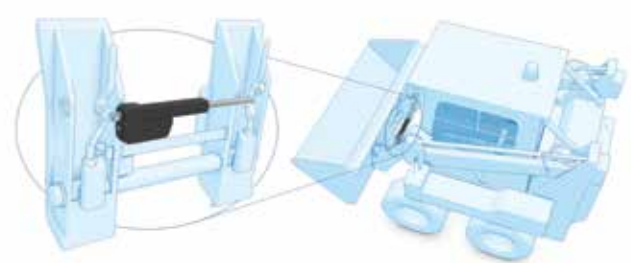
These applications illustrate how the Electrak® HD can deliver huge benefits over pneumatic and hydraulic mechanisms, including reduced design, installation and operation costs, while improving controllability, safety and productivity.

Single-User Maintenance and Repair



Electric linear actuators enable a single maintenance or repair technician to access the engine compartment quickly and safely.

Quick-Attach



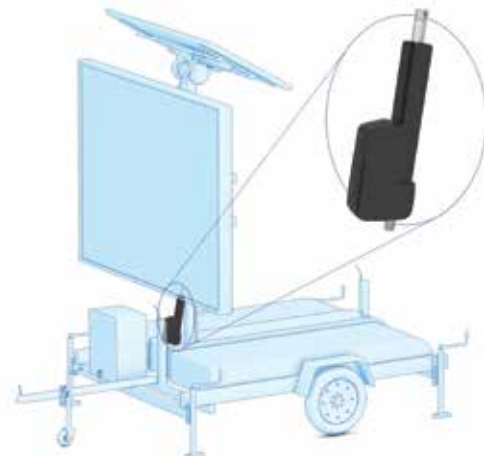
Quick-attach actuators allow the operator to change implements on the loader or skid steer without leaving the seat for improved productivity and safety.

Utility Vehicles



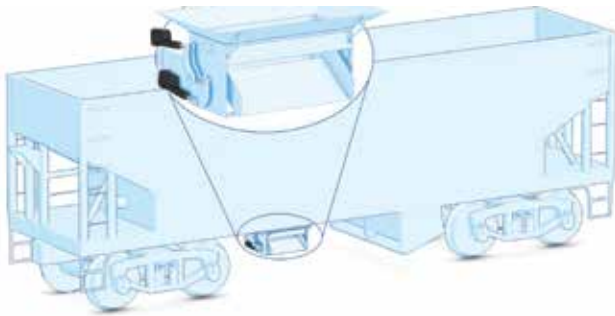
Garden, construction and service vehicles require rugged, efficiently controlled performance. The environmental protection (IP69K), high load capabilities and J1939 CAN bus communication provide that performance.

Roadwork and Construction Site Equipment



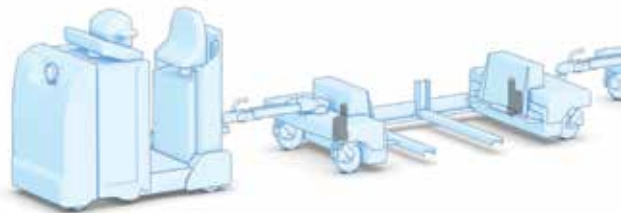
Long stroke, protection against harsh environments and high load rating (including high shock loading for wind shear) make the Electrak HD a great fit for this roadside construction sign.

Railroad Equipment



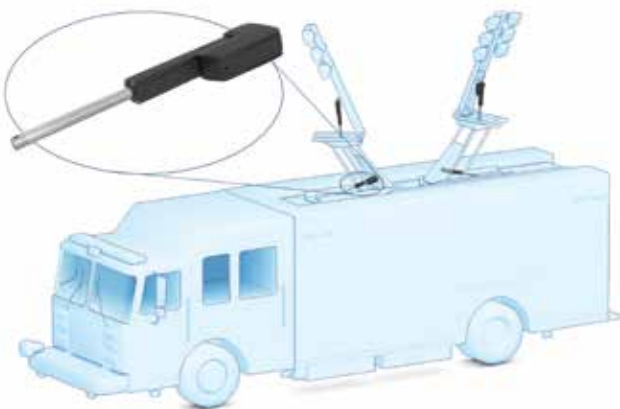
Railroad equipment experiences the toughest conditions. Whether it is to open and close a gravity bin or to control a pantograph, the Electrak HD actuator will perform effectively despite harsh weather, heavy vibrations or high-pressure washing.

Logistic Systems



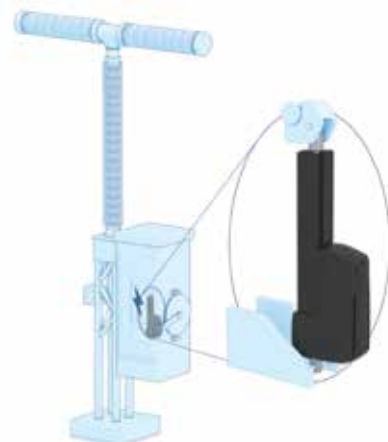
The Electrak HD, with its built-in J1939 CAN bus capabilities, makes it easy to build intelligent logistic systems such as the material handling train shown here.

Emergency and Rescue Vehicles



The deployment of lighting on emergency vehicles demands the most reliable operation. Electrak HD is easily controlled, has a built-in manual override and operates reliably in all weather to help emergency responders perform their jobs safely.

Switch Gears



Electrical switch gears are often placed in remote locations. It is critical that power switching is executed and confirmed without fail. Electrak HD is ideal for this task in arctic to high-temperature conditions.

Electrak® HD Technical Features



The Thomson Electrak HD is a New Electric Linear Actuator Platform

Onboard electronics eliminate the need for standalone controls. Higher power opens a new, wider range of hydraulic-to-electric application conversions. And the Electrak HD meets the most extreme OEM component environmental acceptance tests, including IP69K.

General Specifications

Parameter	Electrak HD
Screw type	ball
Nut type	load lock ball nut
Manual override	yes
Anti-rotation	yes
Dynamic braking	yes ⁽¹⁾
Static load holding brake	yes
End-of-stroke protection	internal end-of-stroke limit switches
Overload protection	yes
Temperature monitoring	yes
Temperature compensation	yes
Voltage monitoring	yes
Electrical connections ⁽²⁾	cable(s) with flying leads
Compliance	CE

(1) Dynamic braking is included at the ends of stroke for all Electrak HD actuators. Dynamic braking offered throughout the entire stroke length only on low-level switching and J1939 options.

(2) There are one or two cables depending on the control option used. The cable(s) enters the actuator via a connector. The replacement of an actuator can be completed by unplugging the old actuator and plugging in the new one.

Optional Features

Parameter	Electrak HD
Mechanical options	Variety of front and rear adapters
	Alternative adapter orientation
Control options (see page 24)	End-of-stroke output
	Analog position feedback
	Digital position feedback
	Low-level signal motor switching
	J1939 CAN bus
	Synchronization

Accessories

Parameter	Electrak HD
Mechanical	Rod end front adapter
Electrical	External slot-mounted limit switches

Electrak HD Technical Specifications

Mechanical Specifications

Parameter		Electrak HD
Max. static load ⁽¹⁾	[kN (lbs)]	18 (4050)
Max. dynamic load (Fx)	[kN (lbs)]	
HDxx-B017		1.7 (382)
HDxx-B026		2.6 (585)
HDxx-B045		4.5 (1012)
HDxx-B068		6.8 (1529)
HDxx-B100		10 (2248)
HDxx-B160		16 (3584)
Speed @ no load/max. load ⁽²⁾	[mm/s (in/s)]	
HDxx-B017		71/58 (2.8/2.28)
HDxx-B026		40/32 (1.6/1.3)
HDxx-B045		24/19 (0.94/0.75)
HDxx-B068		18/14 (0.71/0.55)
HDxx-B100		11/9 (0.43/0.35)
HDxx-B160		7/5 (0.27/0.21)
Min. ordering stroke (S) length	[mm]	100
Max. ordering stroke (S) length ⁽³⁾	[mm]	1000
Ordering stroke length increments	[mm]	50
Operating temperature limits	[°C (F)]	-40 – 85 (-40 – 185)
Full load duty cycle @ 25 °C (77 °F)	[%]	25 ⁽⁴⁾
End play, maximum	[mm (in)]	1.2 (0.047)
Restraining torque	[Nm (lbs)]	0
Protection class - static		IP67 / IP69K
Protection class - dynamic		IP66
Salt spray resistance	[h]	500

¹ Max. static load at fully retracted stroke.

² For units with the synchronization option, the speed is 25% lower at any load.

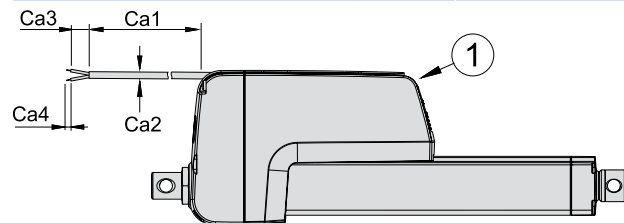
³ 500 mm max. for 16 kN

⁴ For HDxx-B100 and HDxx-160 load, the duty cycle is 15%.

⁵ Do not use PWM voltage for speed control to avoid damaging the onboard electronics

Electrical Specifications

Parameter		Electrak HD
Available input voltages ⁽⁵⁾	[Vdc]	12, 24
Input voltage tolerance	[Vdc]	
HD12 (12 Vdc input voltage)		9 - 16
HD24 (24 Vdc input voltage)		18 - 32
Current draw @ no load/max. load	[A]	
HD12-B017		3/18
HD24-B017		1.5/9
HD12-B026		3/18
HD24-B026		1.5/9
HD12-B045		3/18
HD24-B045		1.5/9
HD12-B068		3/20
HD24-B068		1.5/10
HD12-B100		3/18
HD24-B100		1.5/9
HD12-B160		3/20
HD24-B160		1.5/10
Motor leads cross section	[mm ² (AWG)]	2 (14)
Signal leads cross section	[mm ² (AWG)]	0.5 (20)
Standard cable lengths (Ca1)	[m (in)]	0.3, 1.5, 5 (11.8, 59, 197)
Cable diameter (Ca2)	[mm (in)]	7.5 (.295)
Flying lead length (Ca3)	[mm (in)]	76 (3)
Stripped lead length (Ca4)	[mm (in)]	6 (0.25)



The drawing shows the cables exiting the cable slots at the end of the actuator housing, which is the shipping position. The user can adjust the exit point to be anywhere between the connector (1) in the front of the housing and the end of the cable slots.

Actuator Weight [kg]

Maximum Dynamic Load (Fx) [kN (lbs)]	Ordering Stroke (S) [mm]																		
	100	150	200	250	300	350	400	450	500	550	600	650	700	750	800	850	900	950	1000
1.7 (382)	6.5	6.7	7.0	7.2	7.5	7.7	8.0	8.2	8.5	8.7	9.0	9.2	9.5	9.7	10.0	10.2	10.5	10.7	11.0
2.6 (585)	6.5	6.7	7.0	7.2	7.5	7.7	8.0	8.2	8.5	8.7	9.0	9.2	9.5	9.7	10.0	10.2	11.6	11.9	12.2
4.5 (1012)	6.5	6.7	7.0	7.2	7.5	7.7	8.0	8.2	8.5	8.7	9.0	9.2	10.4	10.7	11.0	11.3	11.6	11.9	12.2
6.8 (1592)	6.5	6.7	7.0	7.2	7.5	7.7	8.0	8.2	8.5	9.5	9.8	10.1	10.4	10.7	11.0	11.3	11.6	11.9	12.2
10 (2248)	6.7	7.0	7.2	7.5	7.7	8.0	8.2	9.1	9.4	9.7	10.0	10.3	10.6	10.9	11.2	11.5	11.8	12.1	12.4
16 (3584)	7.0	7.3	7.5	7.8	8.0	8.3	8.5	9.1	9.4										

Conversion Factors: Millimeter to inch: 1 mm = 0.03937 in, kilogram to pound: 1 kg = 2.204623 lbs

www.thomsonlinear.com/hd

How to Order the Electrak® HD

This ordering key provides a quick overview of the product versions available. It is important to consider many application details when selecting a product, including the loads, speeds and control options required, as well as the product environment and necessary accessories. More information can be found at www.thomsonlinear.com/hd.

Ordering Key

1	2	3	4	5	6	7	8	9
HD12	B026-	0300	LXX	2	M	M	S	D

1. Model and input voltage

HD12 = Electrak HD, 12 Vdc
HD24 = Electrak HD, 24 Vdc

2. Screw type, dynamic load capacity

B017 = ball screw, 1.7 kN (382 lbf)
B026 = ball screw, 2.6 kN (585 lbf)
B045 = ball screw, 4.5 kN (1012 lbf)
B068 = ball screw, 6.8 kN (1529 lbf)
B100 = ball screw, 10 kN (2248 lbf)
B160 = ball screw, 16 kN (3584 lbf)

3. Ordering stroke length ^{(1) (2)}

0050 = 50 mm ⁽³⁾
0100 = 100 mm
0150 = 150 mm
0200 = 200 mm
0250 = 250 mm
0300 = 300 mm
0350 = 350 mm
0400 = 400 mm
0450 = 450 mm
0500 = 500 mm
0550 = 550 mm
0600 = 600 mm
0650 = 650 mm
0700 = 700 mm
0750 = 750 mm
0800 = 800 mm
0850 = 850 mm
0900 = 900 mm
0950 = 950 mm
1000 = 1000 mm

4. Electrak Modular Control System options

EXX = Electronic Monitoring Package only
ELX = EXX + end-of-stroke indication output
EXP = EXX + analog (potentiometer) position output
EXD = EXX + digital position output
ELP = ELX + analog (potentiometer) position output
ELD = ELX + digital position output
LXX = EXX + low-level signal motor switching
LLX = EXX + LXX + end-of-stroke indication output
LXP = EXX + LXX + analog (potentiometer) position output
CNO = J1939 CAN bus + open-loop speed control
SYN = LXX + synchronization option

5. Cable length

1 = 0.3 m long cables
2 = 1.5 m long cables
3 = 5.0 m long cables

6. Rear adapter/mounting flange options

A = rear mounting flange ^{(4) (5)}
M = cross hole for 12 mm pin
E = cross hole for ½ inch pin
N = forked cross hole for 12 mm pin
F = forked cross hole for ½ inch pin

7. Front adapter options

A = metric M16 male thread
M = cross hole for 12 mm pin
E = cross hole for ½ inch pin
N = forked cross hole for 12 mm pin
F = forked cross hole for ½ inch pin
P = metric M12 female thread
G = inch 1/2-20 UNF-2B female thread

8. Adapter orientation

S = standard
M = 90 ° turned

9. Connection options

D = flying leads

(1) Other stroke lengths available upon request. Please contact customer support.

(2) 500 mm is the max. stroke length for 16 kN units.

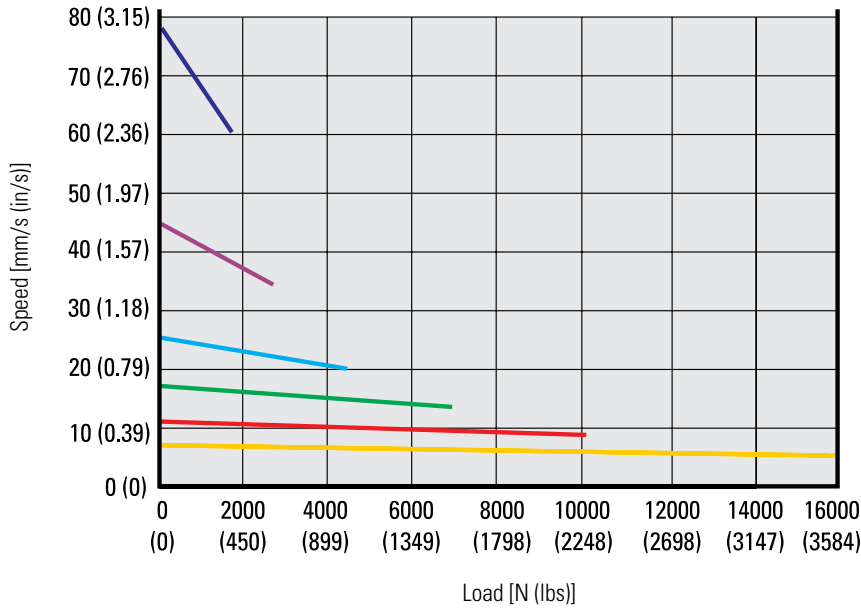
(3) 50 mm stroke units will have same retracted length and envelope size as a 100 mm unit.

(4) Max. ordering stroke for the rear mounting flange type A is 300 mm.

(5) Max. dynamic load capacity for the rear mounting flange type A is 10 kN.

Performance Diagrams

Load vs. Speed ⁽¹⁾



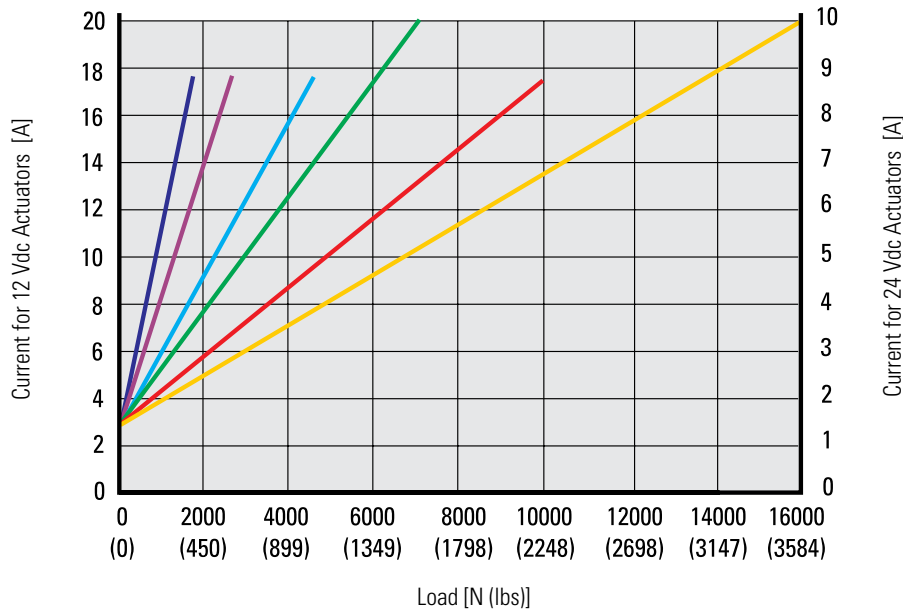
¹ Curves valid for all units except those with the synchronization option, where the speed at any load is 25% lower than for those without.

Load vs. Life

Load (kN)	Stroke (mm)	Life (cycles)
1.7	300	60,000
2.6		40,000
4.5		20,000
6.8		10,000
10		7,500
16		4,000

The life of an actuator is dependent upon the application in which it is used. The table above provides estimates based on a 300 mm stroke that is fully loaded throughout the entire cycle. If you have any questions regarding the life of the Electrak HD in your specific application, please contact Thomson Customer Support.

Load vs. Current

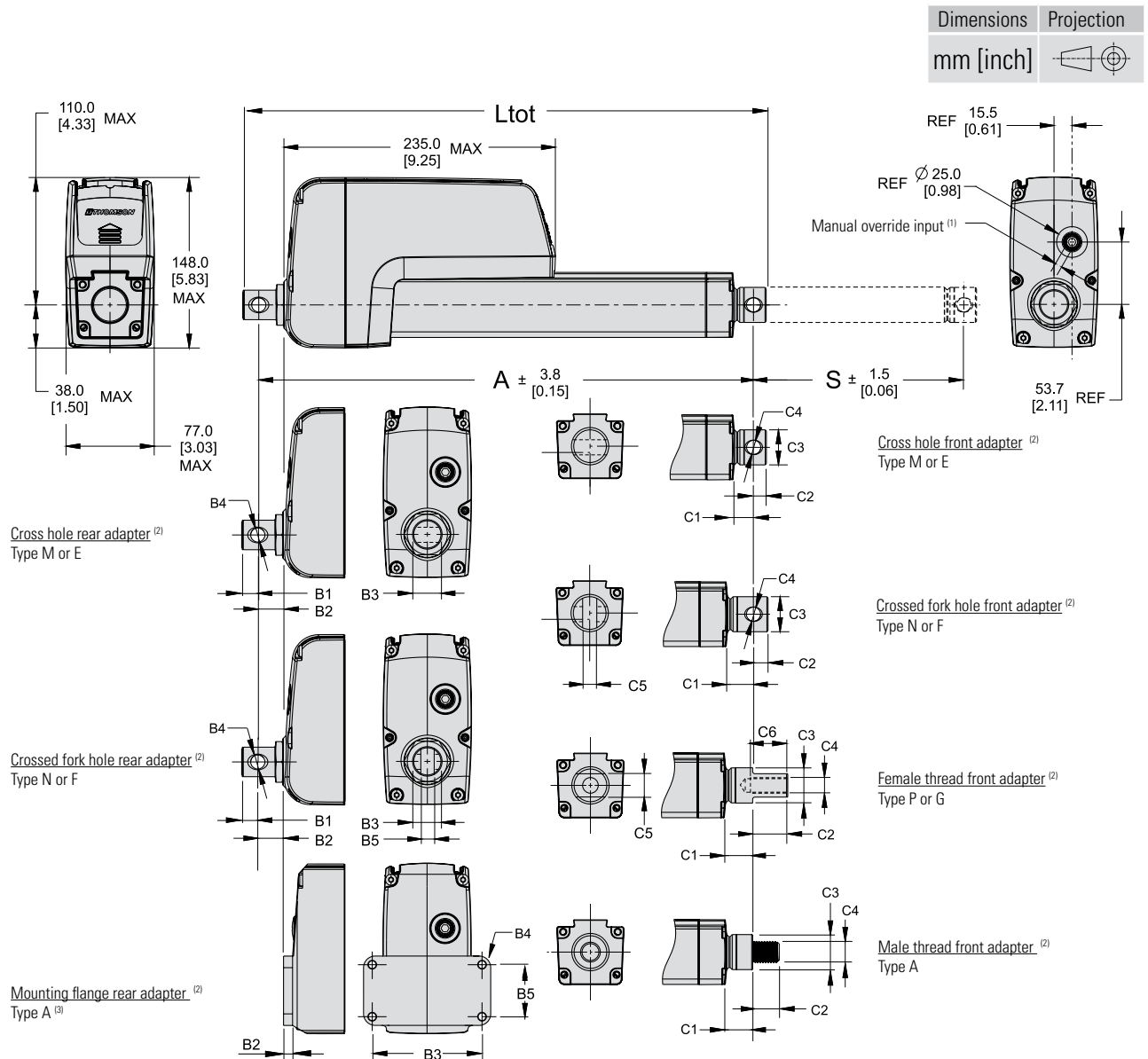


Screw Type and Dynamic Load Capacity

- ball screw, 1.7 kN (382 lbs) ■
- ball screw, 4.5 kN (1012 lbs) ■
- ball screw, 10 kN (2248 lbs) ■
- ball screw, 2.6 kN (585 lbs) ■
- ball screw, 6.8 kN (1529 lbs) ■
- ball screw, 16 kN (3584 lbs) ■

Note! Curves were generated at an ambient temperature of 21°C (70°F). Different ambient temperature and individual actuator characteristics can produce slightly different values.

Dimensions



Rear and Front Adapter Dimensions [mm (in)]

	Rear Adapter Types					Front Adapter Types							
	M	E	N	F	A ⁽³⁾	M	E	N	F	P	G	A	
B1	13.4 (0.53)				-	C1	see table on next page					16.5 (0.65)	
B2	21.6 (0.85)				7.8 (0.31)	C2	10.9 (0.51)	12.9 (0.51)		30.0 (1.18)		20.0 (0.79)	
B3	25.4 (1.0)				95.0 (3.70)	C3	see table on next page						
B4	12.2 (0.48)	12.8 (0.51)	12.2 (0.48)	12.8 (0.51)	6.6 (0.26)	C4	12.2 (0.48)	12.8 (0.51)	12.2 (0.48)	12.8 (0.51)	M12 × 1.75	1/2-20 UNF-2B	M16 × 2
B5	-	-	8.2 (0.32)		45.0 (1.77)	C5	-	-	8.2 (0.32)		19.0 (0.75)		-
						C6	-	-	-	-	35.0 (1.38)		-

(1) The input hole is covered with a plastic threaded plug. When removed, a 6 mm socket can be inserted and used as a crank.

(2) All adapters shown in the standard orientation.

(3) Rear mounting flange type A cannot be ordered with a higher maximum static load capacity than 10 kN or/and a maximum stroke of 300 mm.

Dimensions

Maximum Dynamic Load and Stroke Relationships

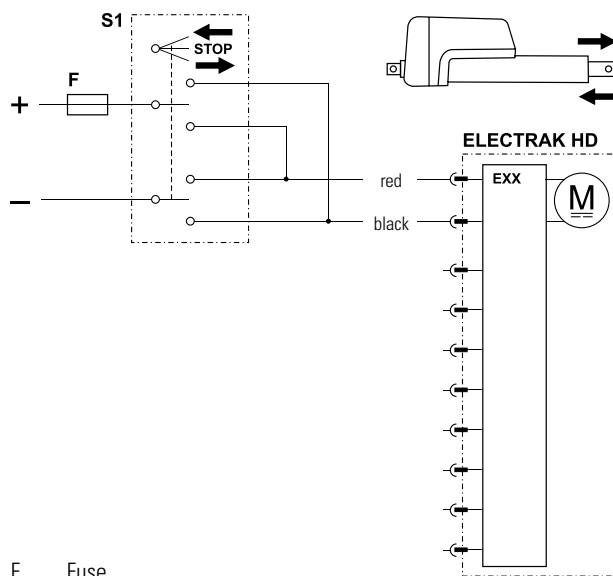
Maximum Dynamic Load (Fx) - kN (lbs.)	Total Length (Ltot), Retracted Length (A) and Adapter Dimensions [mm]	Ordering Stroke (S) [mm]					
		100 – 500	550 – 600	650 – 700	750 – 900	950 – 1000	
1.7 (382)	Ltot	A + B1 + C2					
	A	S + 150.9 + B2 + C1					
	C1	Type M, E	17.5				
		Type N, F	26.5				
		Type P, G	23.9				
C3	30.2						
2.6 (585)	Ltot	A + B1 + C2			A + B1 + C2		
	A	S + 150.9 + B2 + C1			S + 156.8 + B2 + C1		
	C1	Type M, E	17.5			24.0	
		Type N, F	26.5			27.0	
		Type P, G	23.9			24.9	
C3	30.2			35.0			
4.5 (2012)	Ltot	A + B1 + C2			A + B1 + C2		
	A	S + 150.9 + B2 + C1			S + 156.8 + B2 + C1		
	C1	Type M, E	17.5			24.0	
		Type N, F	26.5			27.0	
		Type P, G	23.9			24.9	
C3	30.2			35.0			
6.8 (1529)	Ltot	A + B1 + C2			A + B1 + C2		
	A	S + 150.9 + B2 + C1			S + 156.8 + B2 + C1		
	C1	Type M, E	17.5			24.0	
		Type N, F	26.5			27.0	
		Type P, G	23.9			24.9	
C3	30.2			35.0			
10 (2248)	Ltot	A + B1 + C2		A + B1 + C2			
	A	S + 180.9 + B2 + C1		S + 182 + B2 + C1			
	C1	Type M, E	17.5		24.0		
		Type N, F	26.5		27.0		
		Type P, G	23.9		24.9		
C3	30.2		35.0				
16 (3584)	Ltot	A + B1 + C2		-			
	A	S + 182 + B2 + C1					
	C1	Type M, E	24.0				
		Type N, F	27.0				
		Type P, G	24.9				
C3	35.0						

Control Options

Electrak® HD electric linear actuators feature the Electrak Modular Control System, and each unit is shipped with the Electronic Monitoring Package. A generous offering of optional control and feedback features can be configured to fit most applications – all within the same design envelope. Details for each control option and its wiring are described on the following pages. Please contact customer support for more information at www.thomsonlinear.com/cs.

Control Option Type EXX

Actuator supply voltage	[Vdc]	
HD12		9 - 16
HD24		18 - 32
Actuator current draw	[A]	see page 19

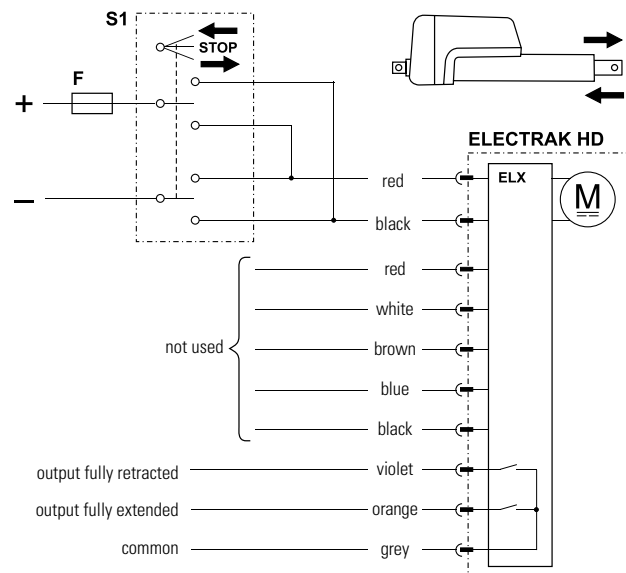


F Fuse
S1 Double pole double throw switch

Control option EXX contains all of the basic Electronic Monitoring Package features described on page 7, guaranteeing safe operation of the actuator and equipment. With control option EXX, the polarity of the motor voltage is switched by a customer-supplied switch (switch, relay, etc.) to make the actuator extend or retract. The switch, power supply, wiring and all other components must be able to handle the motor current for the actuator model and load being used, as well as the inrush current (up to three times the max. continuous current for the max. load being used for up to 150 milliseconds).

Control Option Type ELX

Actuator supply voltage	[Vdc]	
HD12		9 - 16
HD24		18 - 32
Actuator current draw	[A]	see page 19
Output contact type		potential free
Limit switch max. switch voltage	[Vdc/ac]	30/120
Limit switch max. switch current	[mA]	100



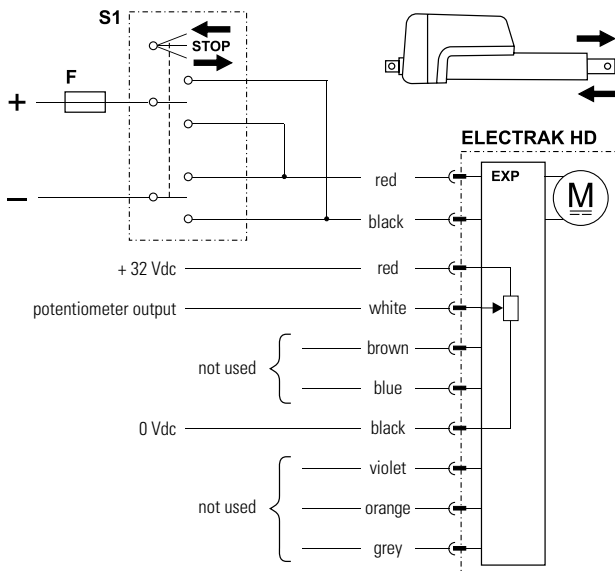
F Fuse
S1 Double pole double throw switch

Control option ELX works as option EXX but also has two outputs that indicate when the extension tube is in its fully extended or retracted position.

Control Options

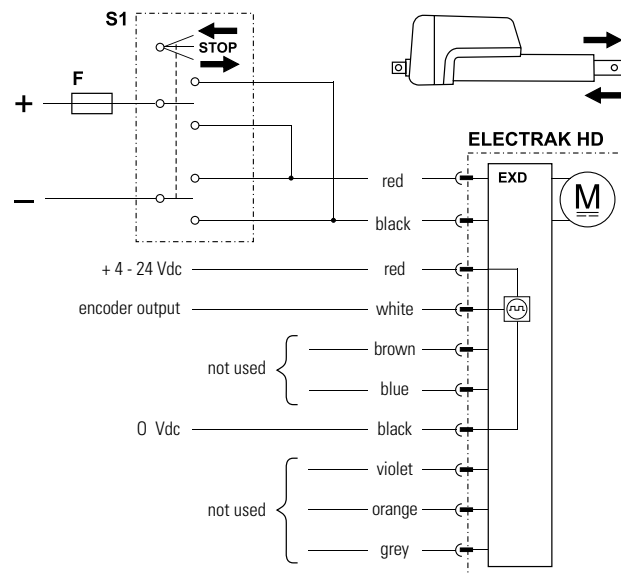
Control Option Type EXP		
Actuator supply voltage	[Vdc]	9 - 16 18 - 32
Actuator current draw	[A]	see page 19
Potentiometer type		wirewound
Potentiometer max. input voltage	[Vdc]	32
Potentiometer max. power	[W]	1
Potentiometer linearity	[%]	± 0.25
Potentiometer output resolution	[ohm/mm]	
50 - 100 mm stroke		65.6
150 - 250 mm stroke		32.8
300 - 500 mm stroke		19.7
550 - 1000 mm stroke		9.8

Control Option Type EXD		
Actuator supply voltage	[Vdc]	9 - 16 18 - 32
Actuator current draw	[A]	see page 19
Encoder type		hall effect
Encoder input voltage	[Vdc]	4 - 24
Encoder output voltage levels	[Vdc]	low (logical zero), typical / max.
		0.1/ 0.25
Encoder resolution	[mm/pulse]	
HDxx-B017		0.28
HDxx-B026		0.15
HDxx-B045		0.09
HDxx-B068		0.07
HDxx-B100		0.04
HDxx-B160		0.03



F Fuse
S1 Double pole double throw switch

Control option EXP works as option EXX but also has an analog (potentiometer) output that will provide feedback on the extension tube position.



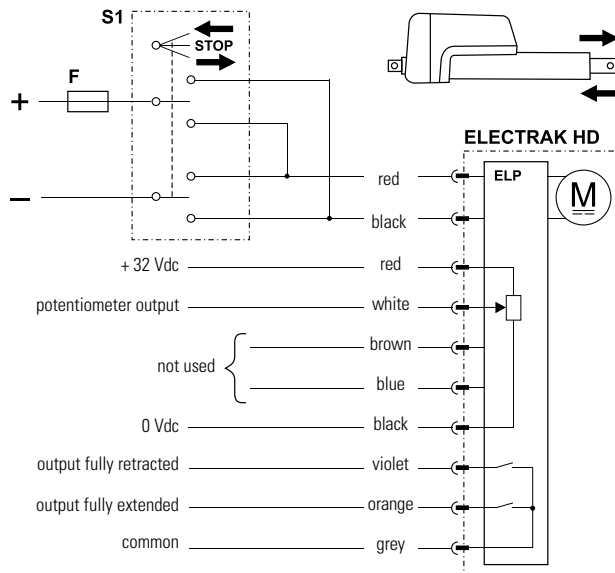
F Fuse
S1 Double pole double throw switch

Control option EXD works as option EXX but also has a single-channel encoder output that will provide feedback on the extension tube position.

Control Options

Control Option Type ELP

Actuator supply voltage	[Vdc]	
HD12		9 - 16
HD24		18 - 32
Actuator current draw	[A]	see page 19
Output contact type		potential free
Limit switch max. switch voltage	[Vdc/ac]	30/120
Limit switch max. switch current	[mA]	100
Potentiometer type		wirewound
Potentiometer max. input voltage	[Vdc]	32
Potentiometer max. power	[W]	1
Potentiometer linearity	[%]	± 0.25
Potentiometer output resolution	[ohm/mm]	
50 - 100 mm stroke		65.6
150 - 250 mm stroke		32.8
300 - 500 mm stroke		19.7
550 - 1000 mm stroke		9.8

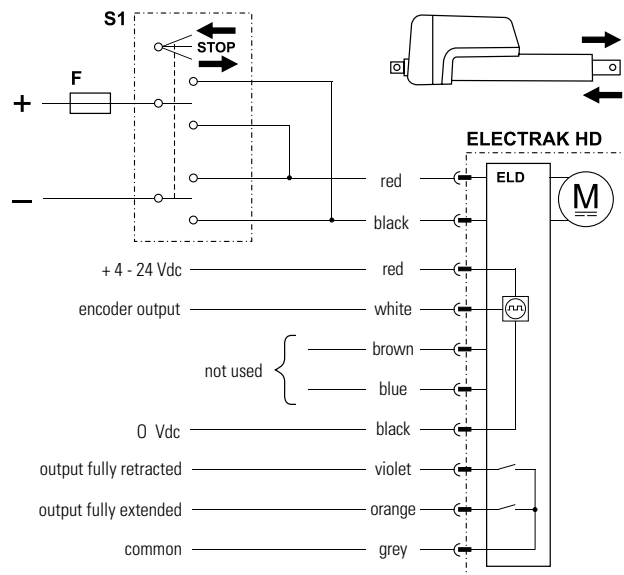


F Fuse
S1 Double pole double throw switch

Control option ELP works as option EXP but also has two outputs that indicate when the extension tube is in its fully extended or retracted position.

Control Option Type ELD

Actuator supply voltage	[Vdc]	
HD12		9 - 16
HD24		18 - 32
Actuator current draw	[A]	see page 19
Output contact type		potential free
Limit switch max. switch voltage	[Vdc/ac]	30/120
Limit switch max. switch current	[mA]	100
Encoder type		hall effect
Encoder input voltage	[Vdc]	4 - 24
Encoder output voltage levels	[Vdc]	
low (logical zero), typical / max.		0.1 / 0.25
Encoder resolution	[mm/pulse]	
HDxx-B017		0.28
HDxx-B026		0.15
HDxx-B045		0.09
HDxx-B068		0.07
HDxx-B100		0.04
HDxx-B160		0.03



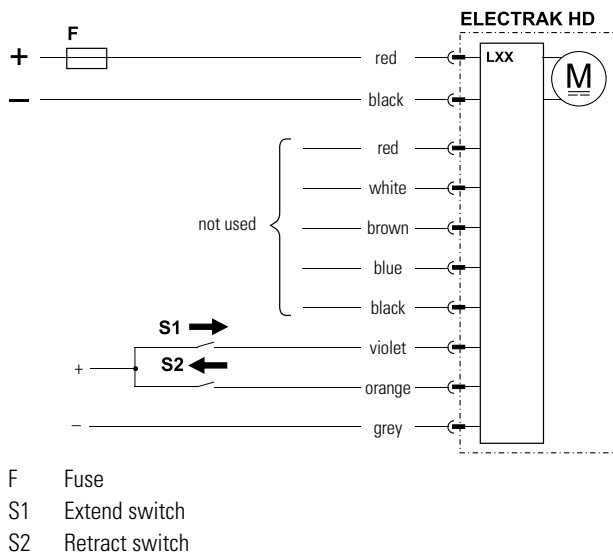
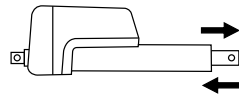
F Fuse
S1 Double pole double throw switch

Control option ELD works as option EXD but also has two outputs that indicate when the extension tube is in its fully extended or retracted position.

Control Options

Control Option Type LXX

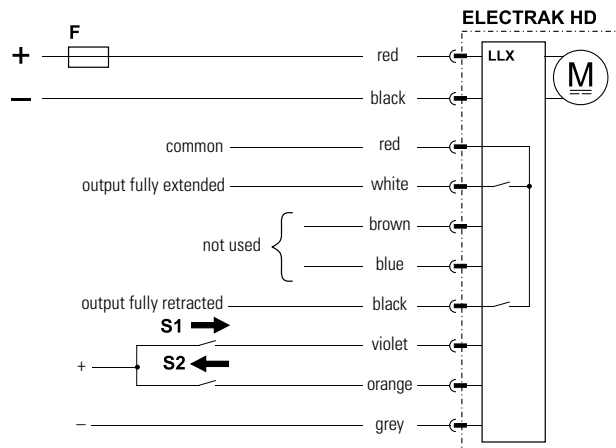
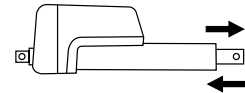
Actuator supply voltage	[Vdc]	9 - 16 HD12 HD24
Actuator current draw	[A]	see page 19
Extend / retract input voltage	[Vdc]	9 - 32
Extend / retract input current	[mA]	6 - 22



Control option LXX has all the basic Electronic Monitoring Package features included in control option EXX, but the polarity of the motor voltage is switched by the onboard electronics instead. The customer-supplied switches used to command the actuator to extend or retract only need to handle low-level signals. However, the power supply and wiring that supply the actuator must be able to handle the motor current for the actuator model and load being used, as well as the inrush current (up to one and a half times the max. continuous current for the max. load being used for up to 150 milliseconds).

Control Option Type LLX

Actuator supply voltage	[Vdc]	9 - 16 HD12 HD24
Actuator current draw	[A]	see page 19
Output contact type		potential free
Limit switch max. switch voltage	[Vdc/ac]	30/120
Limit switch max. switch current	[mA]	100
Extend / retract input voltage	[Vdc]	9 - 32
Extend / retract input current	[mA]	6 - 22



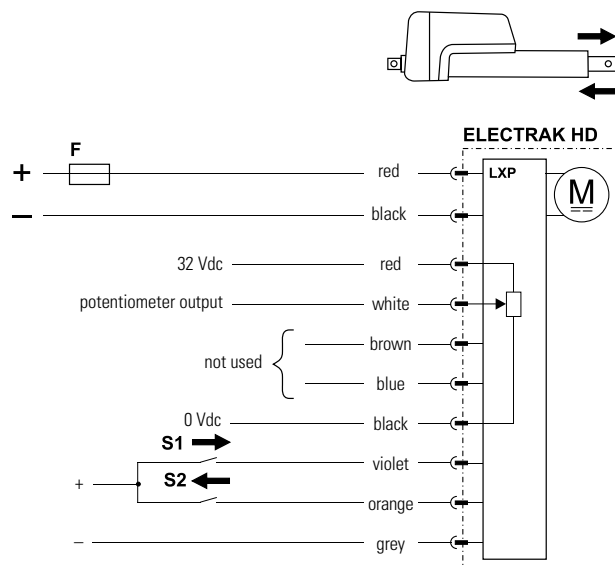
F Fuse
S1 Extend switch
S2 Retract switch

Control option LLX works as option LXX but also has two outputs that indicate when the extension tube is in its fully extended or retracted position.

Control Options

Control Option Type LXP

Actuator supply voltage	[Vdc]	
HD12		9 - 16
HD24		18 - 32
Actuator current draw	[A]	see page 19
Potentiometer type		wirewound
Potentiometer max. input voltage	[Vdc]	32
Potentiometer max. power	[W]	1
Potentiometer linearity	[%]	± 0.25
Potentiometer output resolution	[ohm/mm]	
50 - 100 mm stroke		65.6
150 - 250 mm stroke		32.8
300 - 500 mm stroke		19.7
550 - 1000 mm stroke		9.8
Extend / retract input voltage	[Vdc]	9 - 32
Extend / retract input current	[mA]	6 - 22

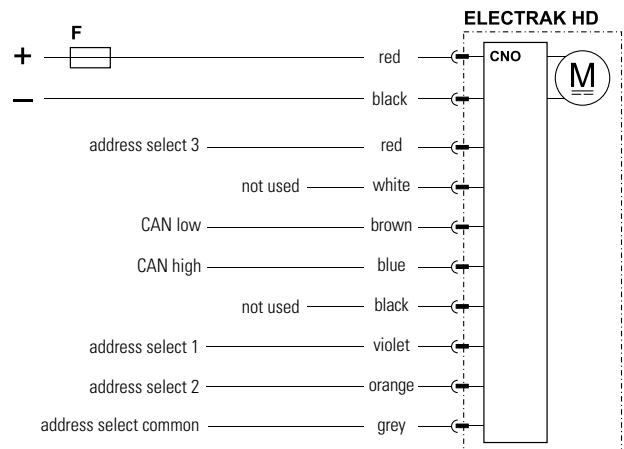
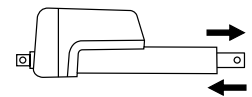


- F Fuse
- S1 Extend switch
- S2 Retract switch

Control option LXP works as option LXX but also has an analog (potentiometer) output that will provide feedback on the extension tube position.

Control Option Type CNO

Actuator supply voltage	[Vdc]	
HD12		9 - 16
HD24		18 - 32
Actuator current draw	[A]	see page 19
Command data includes:		
• position		
• speed		
• current		
Feedback data includes:		
• position		
• speed		
• current		
• other diagnostic information		

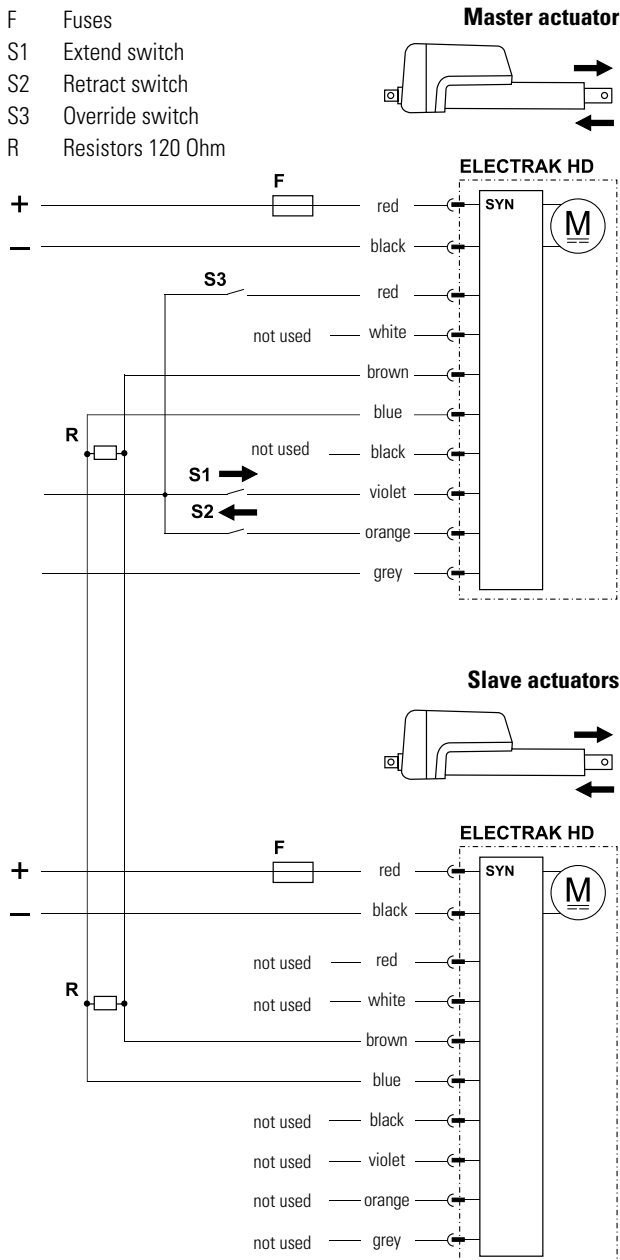


- F Fuse

Control option CNO has a J1939 CAN bus control interface that controls and monitors the actuator. Extend and retract commands are sent via CAN messages on the CAN low and CAN high pins. Address select 1, 2 and 3 pins can be used as a binary encoded decimal (BCD) address to the default address. This can be used when multiple J1939 actuators are located on a single bus.

Control Options

Control Option Type SYN		
Actuator supply voltage	[Vdc]	
HD12		9 - 16
HD24		18 - 32
Actuator current draw	[A]	see page 19
Extend / retract input voltage	[Vdc]	9 - 32
Extend / retract input current	[mA]	6 - 22
Number of synchronized actuators		2 +
Max. actuator speed difference	[%]	25



Control option SYN works as option LXX but also has a synchronization feature, allowing two or more actuators having the SYN option to run in integrated motion.

When using the low-level extend and retract inputs on the master actuator, the slave(s) will follow. If there is a need to run an actuator individually, it is possible to put it into an override state by closing a switch (S3) connected to the red lead as shown in the wiring diagram.

Important design notes:

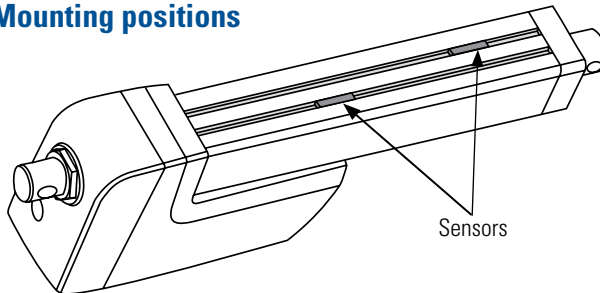
- Ensure that supply voltage to each actuator is within ±1.0 V.
- Uneven loading between the actuators is not recommended, but the synchronization option can withstand its effects up to a 25% speed loss.
- For units with the synchronization option, the speed at a given load is 25% lower than for those without. This is true irrespective of the unit being in synchronization or override mode, or simply run individually.
- If one actuator encounters an overload condition, it will trip the overload protection and send a signal to each actuator on the network to stop. The units can be immediately reversed (unless they bind up the system), or they can continue in the same direction after a power reset.
- If power is lost at any time to any actuator, the actuators still powered will continue their last commanded move until told to stop, either by an individual current overload trip, or a stop signal sent from the master actuator.
- If communication is lost (i.e. brown/blue wires cut), the slaves will continue their last commanded move until they reach end of stroke or trip current overload. The master will continue its last commanded move unless commanded to stop with the switching leads, reaching end of stroke, or tripping current overload.
- After a large number of mid-stroke movements, the time difference between each unit receiving a signal to move (master vs. slave) will add to small variances in when the units start and stop. Since they are designed to run at the same speed, these small differences amount to a variance of position over time – even when load is applied. To address this concern, Thomson suggests running the units either to a fully extended or fully retracted position each cycle to re-align the units with each other to take out these added variances.
- In order to give the master and slave(s) enough time to communicate there must be at least 250 ms between each start and stop command.

Accessories

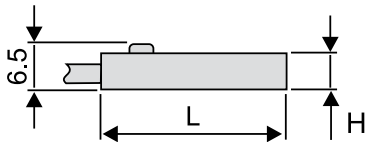
Limit Switches for Cover Tube Mounting

Sensor type	solid state	reed switch
Contact type	normally open (N.O.)	
Output type	PNP	contact
Voltage [VDC/AC]	10 - 30 / -	5 -120 / 5 -120
Max. current [mA]	100	
Hysteresis [mm]	1.5	1.0
Operating temperature [°C]	- 25 to + 85	- 25 to + 70
Lead cross section [mm ²]	3 × 0.14	2 × 0.14
Length (L) [mm]	25.3	30.5
Height (H) [mm]	5.1	5.7
Protection class	IP69K	IP67
LED indicator	yes	
Connection	2 m cable with flying leads	
p/n	840-9131	840-9132

Mounting positions

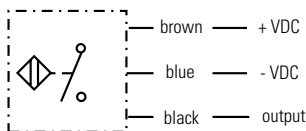


Dimensions [mm]

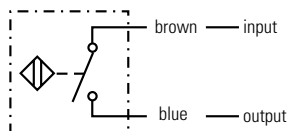


Connection

Solid state



Reed switch

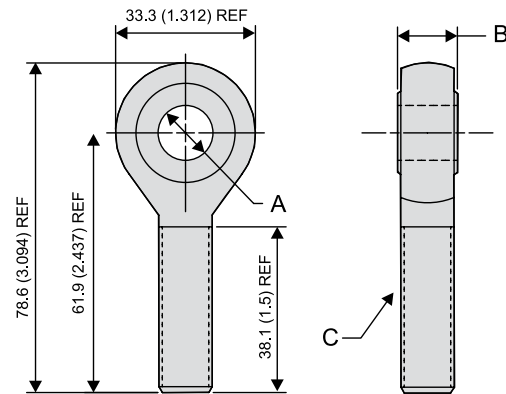


The limit switches are mounted in the cover tube slots and will be switched by a magnet mounted inside of the actuator on the extension tube.

Rod End Front Adapter

Type	metric	inch
Material	Cadmium-plated steel	
Dimensions		
A	12.0 ± 0.1 mm	0.5 in
B	14.3 ± 0.1 mm	0.625 in
C	M12	1/2-20 UNF
p/n	756-9021	756-9007

Dimensions [mm (in)]



The rod end front adapter comes in a metric or inch version. The metric adapter can be mounted to the front of the extension tube if the actuator is equipped with the metric female thread front adapter option (type P), while the inch adapter requires the inch female thread option (type G).

Wire Harness Kits

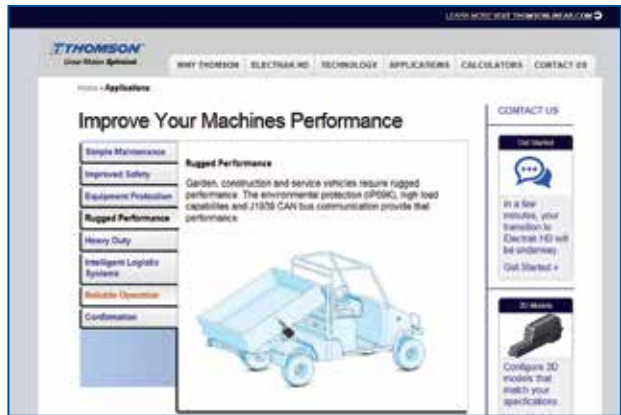
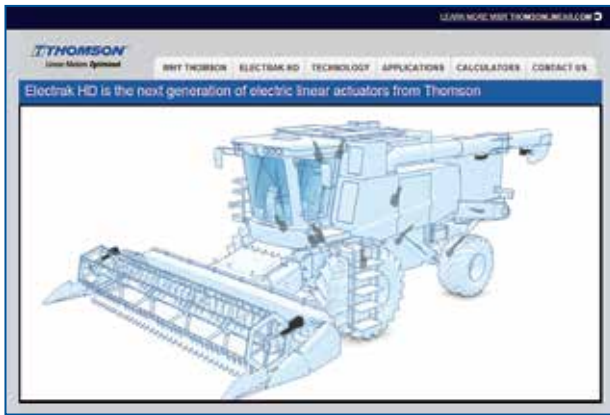
Part Number	Description
954-9364	0.3 m Power Only (EXX)
954-9365	1.5 m Power Only (EXX)
954-9366	5.0 m Power Only (EXX)
954-9367	0.3 m Power and 8-Wire Signal (ELX, ELP, ELD, LXX, LLX, LXP, CNO, SYN)
954-9368	1.5 m Power and 8-Wire Signal (ELX, ELP, ELD, LXX, LLX, LXP, CNO, SYN)
954-9369	5.0 m Power and 8-Wire Signal (ELX, ELP, ELD, LXX, LLX, LXP, CNO, SYN)
954-9370	0.3 m Power and 3-Wire Signal (EXP, EXD)
954-9371	1.5 m Power and 3-Wire Signal (EXP, EXD)
954-9372	5.0 m Power and 3-Wire Signal (EXP, EXD)

Online Resources

Thomson offers a wide variety of online application, selection and training tools to help you in the selection process. An experienced team of application engineers is also available to help size and select an Electrak® HD model to best fit your application needs. To explore additional technical resources and options, contact Thomson customer support at www.thomsonlinear.com/hd.

Electrak HD Microsite

Get additional information and learn more about the electromechanical advantage on our microsite. www.thomsonlinear.com/hd

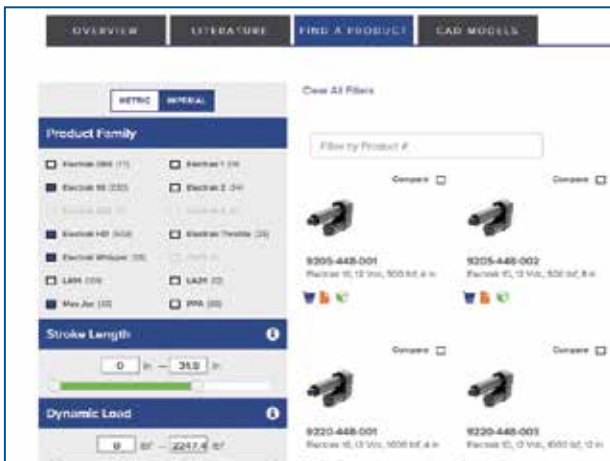


Product Selector

The product selector will walk you through the selection process. www.thomsonlinear.com/website/com/eng/products/actuators/linear_actuators_products.php

Interactive 3D CAD Models

Download free interactive 3D CAD models in the most common CAD formats. www.thomsonlinear.com/micro/electrakhd_eng/3d-model-downloads.html



Smart Actuation

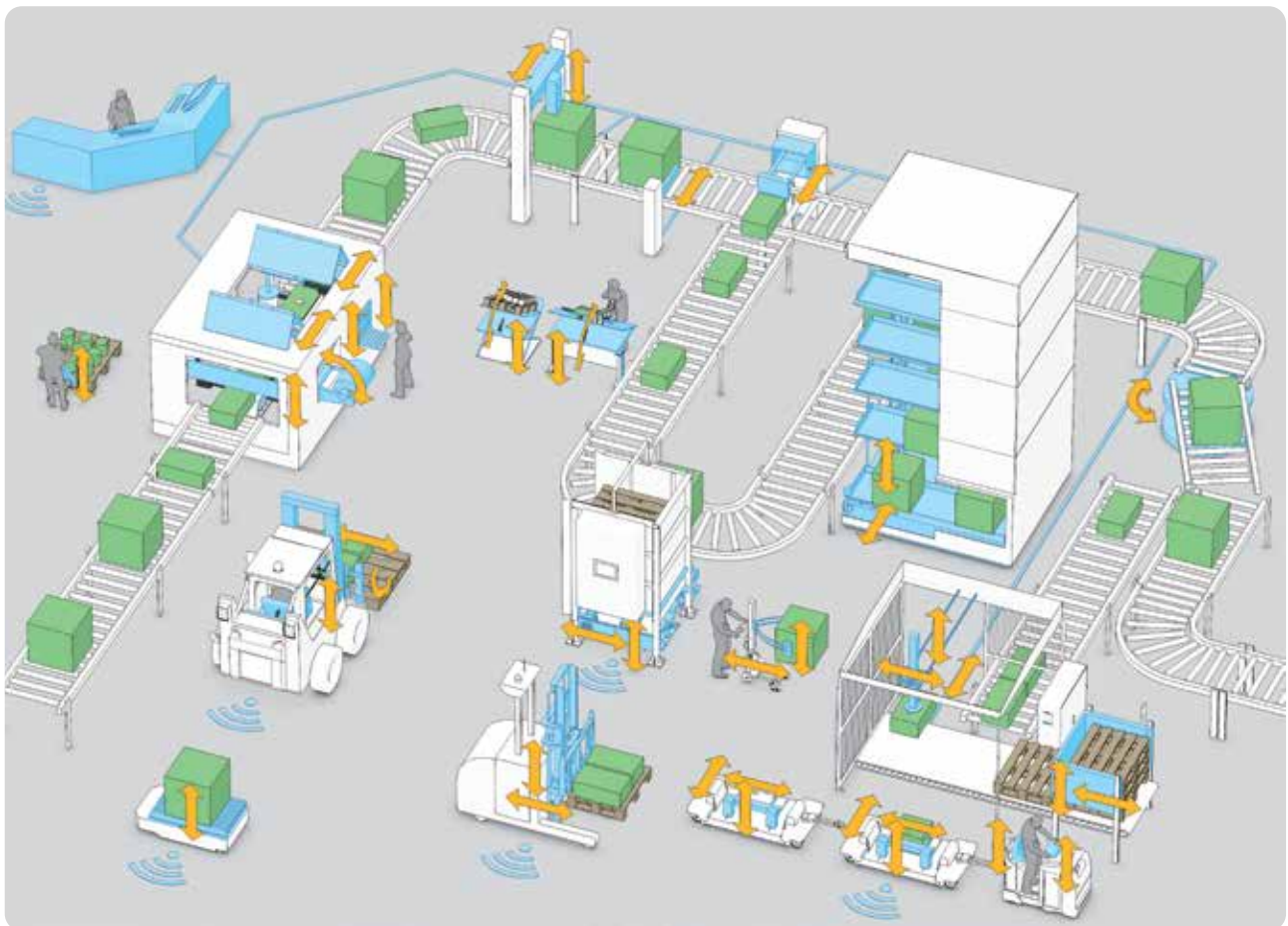
As the industrial world becomes increasingly connected, the designer's need for intelligent components that can communicate with each other and operate without the need for manual interaction is growing. Thomson is meeting this demand and helping to usher in a new generation of "smart" actuators where Electrak HD is one of them. Learn more about smart actuation at www.thomsonlinear.com/smart.

Smart Actuation Benefits

- Increased efficiency and productivity.
- Enhanced diagnostic capabilities and controllability.
- Fewer components and less cabling.
- Minimized complexity and easier installation.
- Reduced hardware and software costs.
- Decreased machine development time and weight.
- Improved machine functionality and performance.

Seamless Interconnectivity

The smart factory incorporates a number of interconnected machines and devices that take advantage of advanced actuation features to enable a fluid, synchronized and safe manufacturing process. These can include fork lifts, assembly/control stations and fixtures, automated guided vehicles, and components that can be easily and quickly adjusted on the fly.



Leverage Decades of Design and Application Expertise

Thomson is the market share leader for electric linear actuators in the most demanding applications, including construction and agriculture vehicles. We routinely collaborate with original equipment manufacturers globally to solve problems, boost efficiency and enhance the value passed on to their customers. Global contact information is available at www.thomsonlinear.com/cs.

From the pioneer in industrial actuators comes a legacy of technologies and application experience that can be harnessed to help with your next machine design, too.

Call today and let's talk about how our vast offering of standard, modified standard and custom solutions can deliver the optimal balance of performance, life and installed cost for you.



<p>1965 Thomson Performance Pak electromechanical actuators are developed</p>	<p>1967 The first actuators for use in garden tractors and farm equipment are released</p>	<p>1974 First line of actuators with parallel motors and both acme and ball screw drive is released</p>	<p>1982 The Electrak line of actuators is released</p>	<p>1987 Electrak 205 and the first line of MCS controls are released</p>
				
<p>2007 Electrak Pro series released</p>	<p>2012 WhisperTrak series released</p>	<p>2013 Electrak Throttle is released</p>	<p>2013 Max Jac heavy duty actuator released</p>	<p>2016 Electrak HD is released</p>
				

Frequently Asked Questions

Here are answers to common questions we receive. If you need more information, please contact customer support at www.thomsonlinear.com/cs.

What is the typical life of an actuator?

Life is a function of load and stroke length. Please contact customer support for more information.

What are the most common reasons for premature actuator failure?

Side load due to incorrect mounting, shock loading, exceeding the duty cycle and incorrect wiring are the most prominent causes for premature failure.

What are IP ratings?

IP (International Protection Marking) ratings are commonly referenced standards that classify electrical equipment using standard tests to determine resistance to ingress of solid objects (first digit) and liquids (second digit). See the IP Ratings table below.

Is Electrak HD suitable for tough environments such as washdown or extreme temperatures?

Yes. Electrak HD actuators are designed for washdown and have passed 200 hours of salt spray tests. They can operate in temperatures ranging from -40°C (-40°F) to +85°C (185°F).

How is the duty cycle determined?

The duty cycle = on time / on time + off time. For example, if Electrak HD is powered for 15 seconds and then off for 45 seconds, the duty cycle for that minute would be 25%. All models are rated to 25% at full load, and an ambient temperature of 25°C (77°F). If load and/or ambient temperature are lower, then the duty cycle can exceed 25%. At higher temperatures, the duty cycle will be lower.

IP Rating (EN60529)		
Code	First Digit Definition	Second Digit Definition
0	No protection.	No protection.
1	Protected against solid objects over 50 mm.	Protected against vertically falling drops of water.
2	Protected against solid objects over 12.5 mm.	Protected against vertically falling drops of water, if the case is disposed up to 15° from vertical
3	Protected against solid objects over 2.5 mm.	Protected against vertically falling drops of water, if the case is disposed up to 60° from vertical
4	Protected against solid objects over 1 mm.	Protected against splash water from any direction.
5	Limited protection against dust ingress (no harmful deposits).	Protected against low-pressure water jets from any direction. Limited ingress permitted.
6	Totally dust protected.	Protected against high-pressure water jets from any direction. Limited ingress permitted.
7	–	Protected against short periods of immersion in water.
8	–	Protected against long, durable periods of immersion in water.
9K	–	Protected against close-range, high-pressure and high-temperature spray downs.

Is Electrak HD maintenance free?

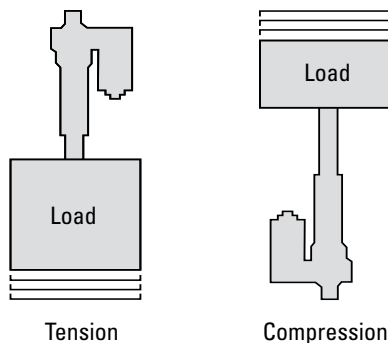
Yes. Electrak HD never requires lubrication, maintenance or adjustment for wear.

Is it possible for a load to back-drive the extension tube?

No. The ball screw models incorporate a static load holding brake.

What is the difference between a tension and a compression load?

A tension load tries to stretch the actuator, while a compression load tries to compress it. With bi-directional loads, the end play of the actuator extension tube may need to be taken into consideration when using the actuator for positioning tasks.



Can Electrak HD be side loaded?

No. A proper design of the application should eliminate any side loads.

What is the range of input voltage an Electrak HD can operate with?

A 12 Vdc version will accept 9 – 16 Vdc, while a 24 Vdc version will accept 18 – 32 Vdc. Outside of these limits, the Electronic Monitoring Package will prevent the actuator from operating.

Can the speed of an Electrak HD be adjusted by changing the input voltage?

No. When using direct current from a battery or full wave rectifier that are within the acceptable voltage limits, the Electronic Monitoring Package will keep the actuator at the correct speed for the load in question. Outside of the limits the actuator will be switched off. If utilizing PWM (Pulse Width Modulation) controls or drives, the actuator PCB can be damaged and is therefore not recommended.

What is the inrush current?

The inrush current is a short current peak that appears at the start of an actuator as the motor tries to get the load moving. Typically, the inrush current will last between 75 to 150 milliseconds and can be up to three times higher (on a low-level switched actuator 1.5 times higher) than the current for the actuator and load. Batteries have no problem delivering the inrush current, but if using an AC-powered power supply, it is important to size it to handle the inrush current.

What special mounting considerations does the Electrak HD require?

There is no restraining torque that needs to be considered as Electrak HD is internally restrained. However, the actuator must be mounted so that there are no side loads acting on the extension tube. It is also important that the manual override input is accessible after the actuator is mounted and that connectors and cables are placed so that they are not damaged during operation.

What is the maximum extension speed?

The extension speed of an Electrak HD actuator is a function of the load. To determine the speed at a certain load, consult the load vs. speed charts on page 21. If a higher linear travel speed is required, a simple mechanical linkage can be employed.

USA, CANADA and MEXICO

Thomson
203A West Rock Road
Radford, VA 24141, USA
Phone: +1 540 633 3549
Fax: 1 540 633 0294
E-mail: thomson@thomsonlinear.com
Literature: literature.thomsonlinear.com

EUROPE

United Kingdom

Thomson
Office 9, The Barns
Caddsdow Business Park
Bideford, Devon, EX39 3BT
Phone: +44 1271 334 500
E-mail: sales.uk@thomsonlinear.com

Germany

Thomson
Nürtinger Straße 70
72649 Wolfschlugen
Phone: +49 7022 504 403
Fax: +49 7022 504 405
E-mail: sales.germany@thomsonlinear.com

France

Thomson
Phone: +33 243 50 03 30
Fax: +33 243 50 03 39
E-mail: sales.france@thomsonlinear.com

Italy

Thomson
Via per Cinisello 95/97
20834 Nova Milanese (MB)
Phone: +39 0362 366406
Fax: +39 0362 276790
E-mail: sales.italy@thomsonlinear.com

Spain

Thomson
E-mail: sales.esm@thomsonlinear.com

Sweden

Thomson
Estridsväg 10
29109 Kristianstad
Phone: +46 44 24 67 00
Fax: +46 44 24 40 85
E-mail: sales.scandinavia@thomsonlinear.com

ASIA

Asia Pacific

Thomson
E-mail: sales.apac@thomsonlinear.com

China

Thomson
Rm 805, Scitech Tower
22 Jianguomen Wai Street
Beijing 100004
Phone: +86 400 606 1805
Fax: +86 10 6515 0263
E-mail: sales.china@thomsonlinear.com

India

Thomson
c/o Portescap India Pvt Ltd
1 E, first floor, Arena House
Road no 12, Marol Industrial Area,
Andheri (E), Mumbai 400093 India
E-mail: sales.india@thomsonlinear.com

Japan

Thomson
Minami-Kaneden 2-12-23, Suita
Osaka 564-0044 Japan
Phone: +81 6 6386 8001
Fax: +81 6 6386 5022
E-mail: csjapan@scgap.com

South Korea

Thomson
3033 ASEM Tower (Samsung-dong)
517 Yeongdong-daero
Gangnam-gu, Seoul, South Korea (06164)
Phone: + 82 2 6001 3223 & 3244
E-mail: sales.korea@thomsonlinear.com

SOUTH AMERICA

Brasil

Thomson
Av. João Paulo Ablas, 2970
Jardim da Glória - Cotia SP - CEP: 06711-250
Phone: +55 11 4615 6300
E-mail: sales.brasil@thomsonlinear.com

www.thomsonlinear.com

Electrak_HD_Actuator_BREN-0020-19 | 20200122TJ

Specifications are subject to change without notice. It is the responsibility of the product user to determine the suitability of this product for a specific application. All trademarks property of their respective owners. © 2020 Thomson Industries, Inc.



DISTRIBUIDOR
AUTORIZADO

MEX (55) 53 63 23 31
QRO (442) 1 95 72 60

MTY (81) 83 54 10 18
ventas@industrialmagza.com

THOMSON

Linear Motion. Optimized.™