

ROLIVAM Tachogenerators

ROLIVAM TACHOGENERATORS are designed and produced by a leading manufacturer of precision A.C. and D.C. servomotors. They have been designed to stop, position, accelerate or change direction without cogging and with fluctuations of less than 1.5 % (pp).

Electro-mechanic configuration with winding on 2 parallel branches, four brushes (2 on each line), a copper-silver alloy commutator with a great number of segments, good surface finish, rare-earth permanent magnets, very low inertia and high manufacturing quality.

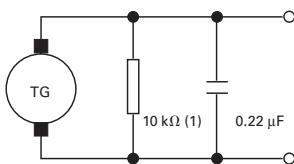
The above means that the ROLIVAM TACHOGENERATORS insure reliable transmission of the output signal and contributes to the ultrafast response in situations where rapid reversals are an essential element in the servo-drive system, without cyclic variation.



Technical Specifications

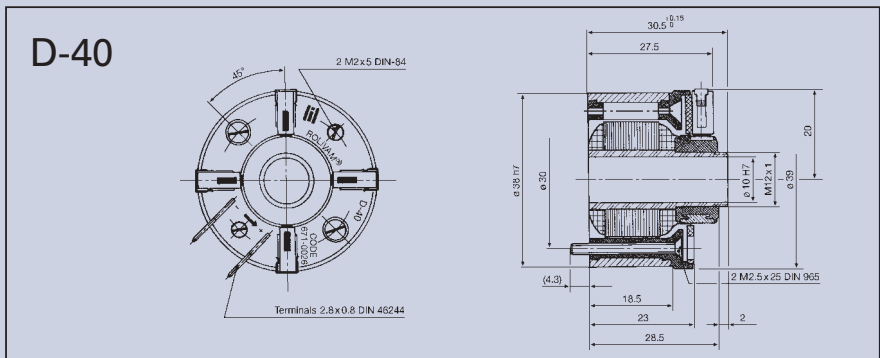
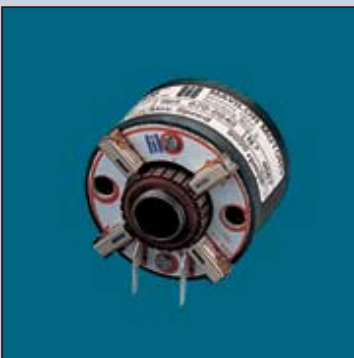
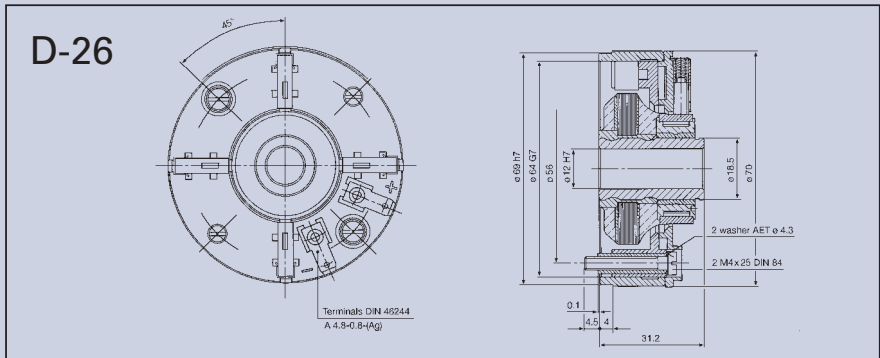
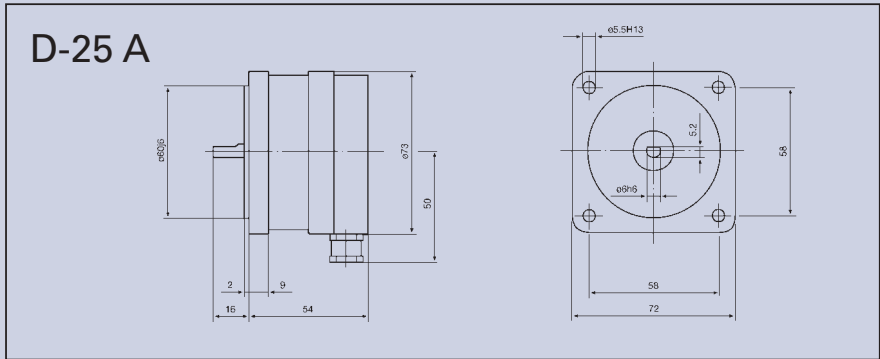
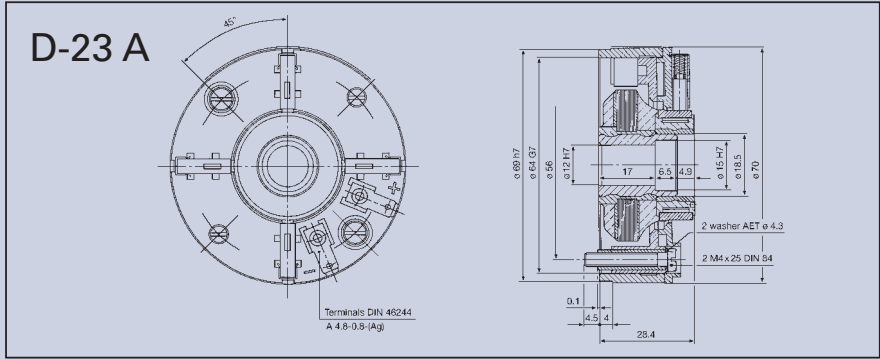
	UNITS	D-23 A D-25 A D-26			D-40 D-41 A D-41 B		
		7 v	10 v	20 v	7 v	10 v	20 v
Voltage Constant ±5%	V/1000 rpm	7	10	20	7	10	20
Ripple at 1000 rpm (*) (pp)	%	<1.2	<1.2	<1.2	<1.5	<1.5	<1.5
Linearity at 6000 rpm	%	≤0.1	≤0.1	≤0.1	≤0.1	≤0.1	≤0.1
Reversing Error	%	≤0.12	≤0.12	≤0.12	≤0.12	≤0.12	≤0.12
Temperature Coefficient	°C/%	0.02	0.02	0.02	0.03	0.03	0.03
Rotor Inertia	kg m ² 10 ⁻³	0.024	0.024	0.024	0.004	0.004	0.004
Resistance	Ω	72	90	380	60	86	275
Inductance	mH	16	25	190	6.3	13	42
Current	mA	5	4	3	2	2	1.5
Maximum Current	mA	20	17	10	8	8	6
Maximum Speed	rpm	8,000	8,000	8,000	9,000	9,000	6,000
Brushes Life Expectancy	revolutions	1.1x10 ⁹	1.1x10 ⁹	1.1x10 ⁹	3.24x10 ⁹	3.24x10 ⁹	3.24x10 ⁹
Number of Poles		4	4	4	4	4	4

(*) Ripple Test Circuit



(1) 20 v = 20 kΩ

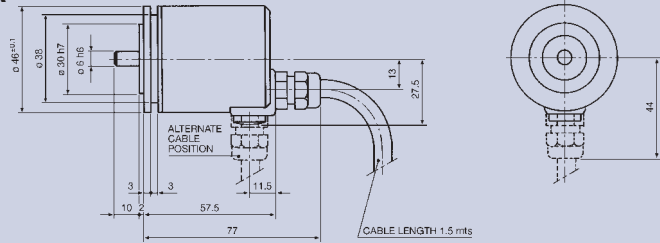
MODELS	D-23 A	D-25 A	D-26	D-40	D-41 A	D-41 B
MASS (kg)	0.28	0.64	0.29	0.11	0.32	0.32



ROLIVAM Tachogenerators



D-41 A



D-41 B

