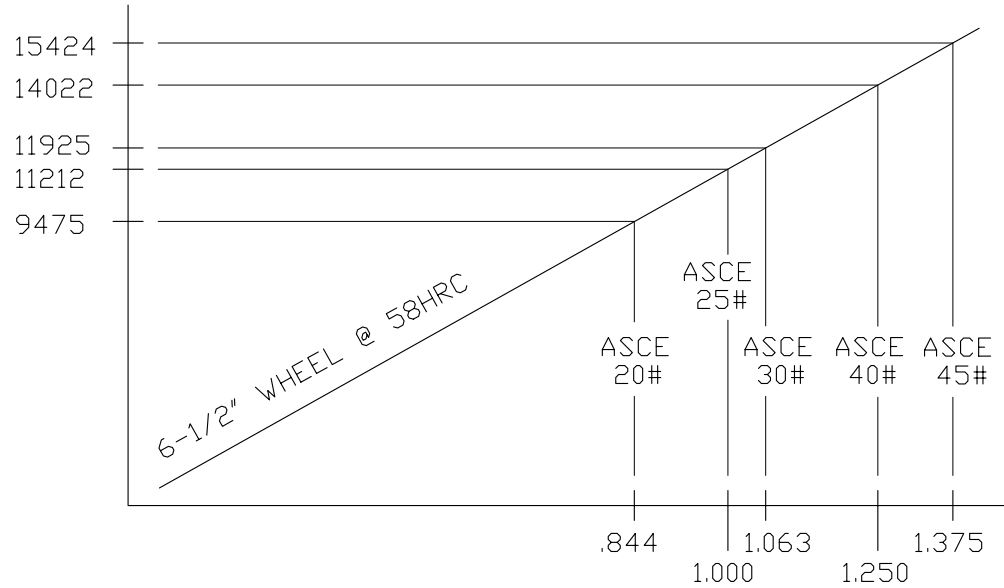


WHEEL LOAD [#]



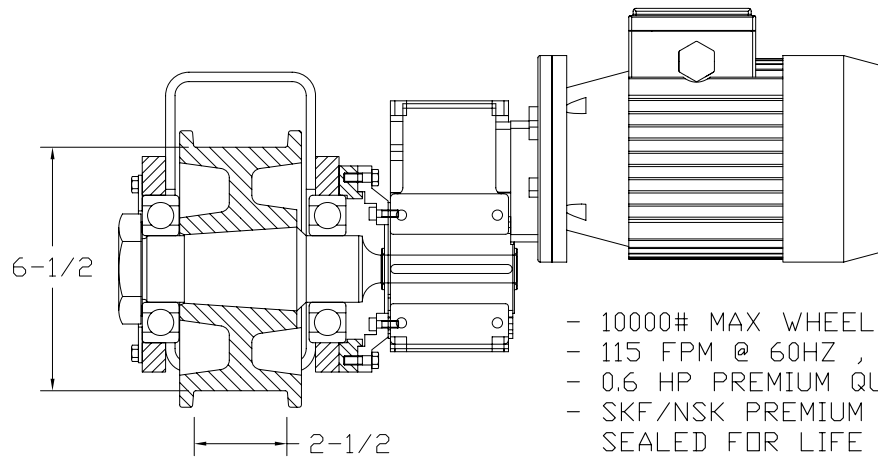
THE MAX WHEEL LOAD IS A COMBINED FUNCTION OF THE FOLLOWING FACTORS

- RUNWAY ACCURACY
- CRANE ACCURACY
- DUTY CYCLE
- OPERATING CONDITIONS
- COMPONENT STRESS LIMITS

WE RECOMMENDED TO ADHERE TO THE CHART FOR WHEEL LOAD LIMITATIONS

WE DO NOT RECOMMEND TO FURTHER INCREASE WHEEL LOADS BY USING ROLLER BEARINGS. THEY CAN NOT BE SEALED AND ARE ONLY SUITED TO OPERATE IN CLEAN ENVIRONMENTS

EFFECTIVE RAIL WIDTH ["]

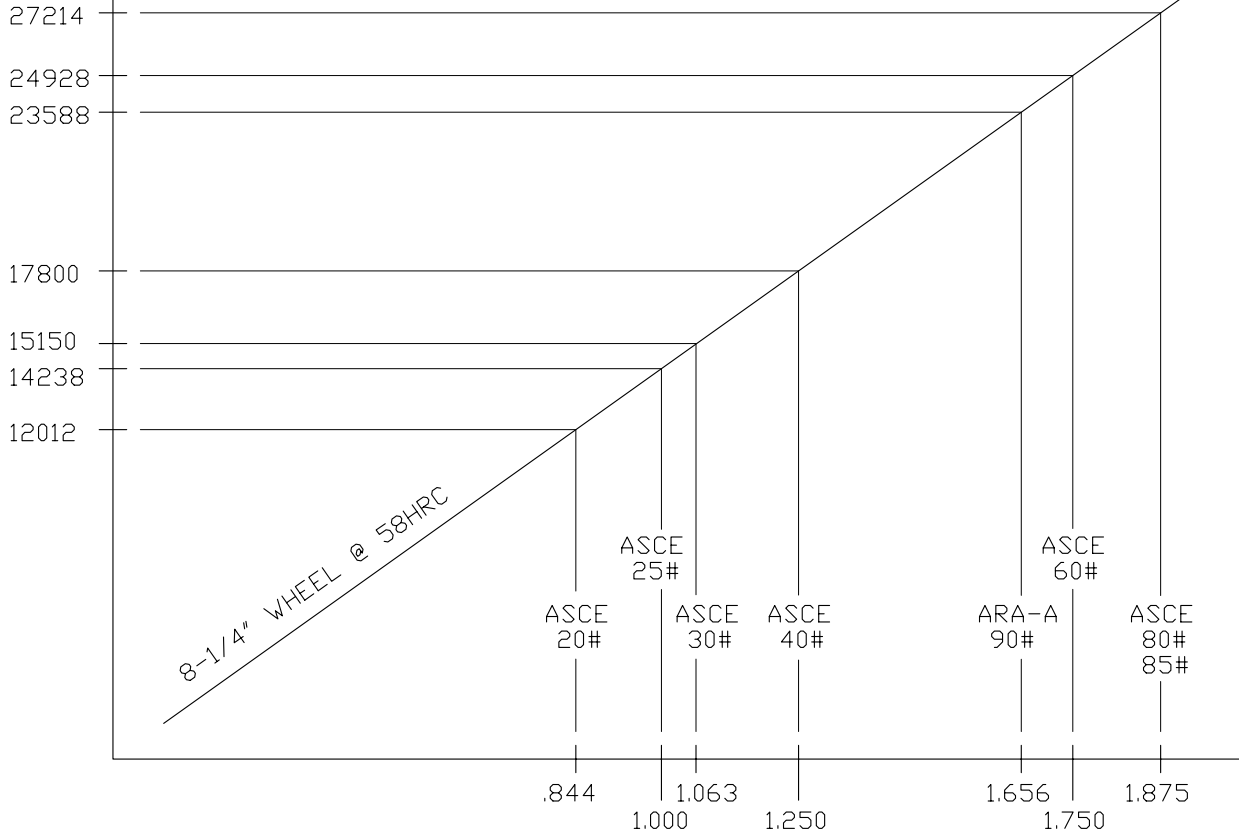


- 10000# MAX WHEEL LOAD
- 115 FPM @ 60HZ , 175 FPM @ 90HZ
- 0.6 HP PREMIUM QUALITY GEARMOTOR
- SKF/NSK PREMIUM QUALITY BEARINGS SEALED FOR LIFE

INDUSTRIAL MAGZA MEX (55) 53 63 23 31 MTY (81) 83 54 10 18
 DIST. AUTORIZADO QRO (442) 1 95 72 60 ventas@industrialmagza.com

DETROIT HOIST & CRANE CO.	
MAXIMUM WHEEL LOAD CHART ACCORDING TO CMAA TABLE 4.7.1-4 6-1/2" WHEEL	
CHART# HRC-6	DRAWN BY / DATE A.B. / 06-02-06

WHEEL LOAD [#]



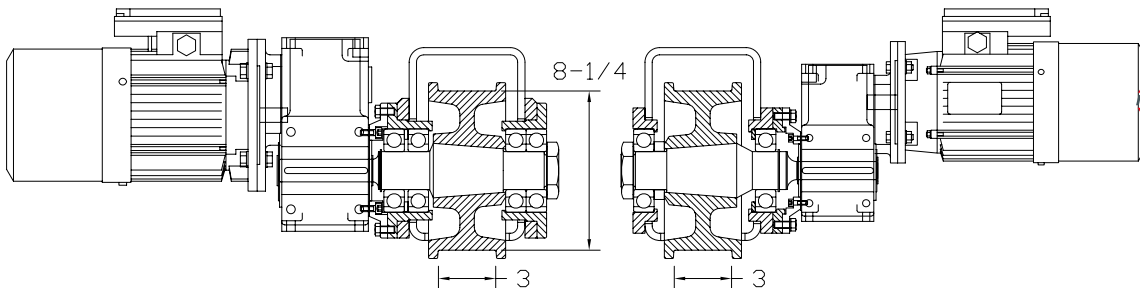
THE MAX WHEEL LOAD IS A COMBINED FUNCTION OF THE FOLLOWING FACTORS

- RUNWAY ACCURACY
- CRANE ACCURACY
- DUTY CYCLE
- OPERATING CONDITIONS
- COMPONENT STRESS LIMITS

WE RECOMMENDED TO ADHERE TO THE CHART FOR WHEEL LOAD LIMITATIONS

WE DO NOT RECOMMEND TO FURTHER INCREASE WHEEL LOADS BY USING ROLLER BEARINGS. THEY CAN NOT BE SEALED AND ARE ONLY SUITED TO OPERATE IN CLEAN ENVIRONMENTS

EFFECTIVE RAIL WIDTH ["]



INDUSTRIAL MAGZA MEX (55) 53 63 23 31 MTY (81) 83 54 10 18
 DIST. AUTORIZADO QRO (442) 1 95 72 60 ventas@industrialmagza.com

DH DETROIT HOIST & CRANE CO.

MAXIMUM WHEEL LOAD CHART
 ACCORDING TO CMAA TABLE 4.13.3-4
 8-1/4" WHEEL

CHART#

HRC-8

DRAWN BY / DATE

A.B. / 06-02-06

- 25000# MAX WHEEL LOAD
- 120 FPM @ 60HZ , 180 FPM @ 90HZ
- 1.8 HP PREMIUM QUALITY GEARMOTOR
- SKF/NSK PREMIUM QUALITY BEARINGS SEALED FOR LIFE

- 15000# MAX WHEEL LOAD
- 125 FPM @ 60HZ , 185 FPM @ 90HZ
- 0.9 HP PREMIUM QUALITY GEARMOTOR
- SKF/NSK PREMIUM QUALITY BEARINGS SEALED FOR LIFE

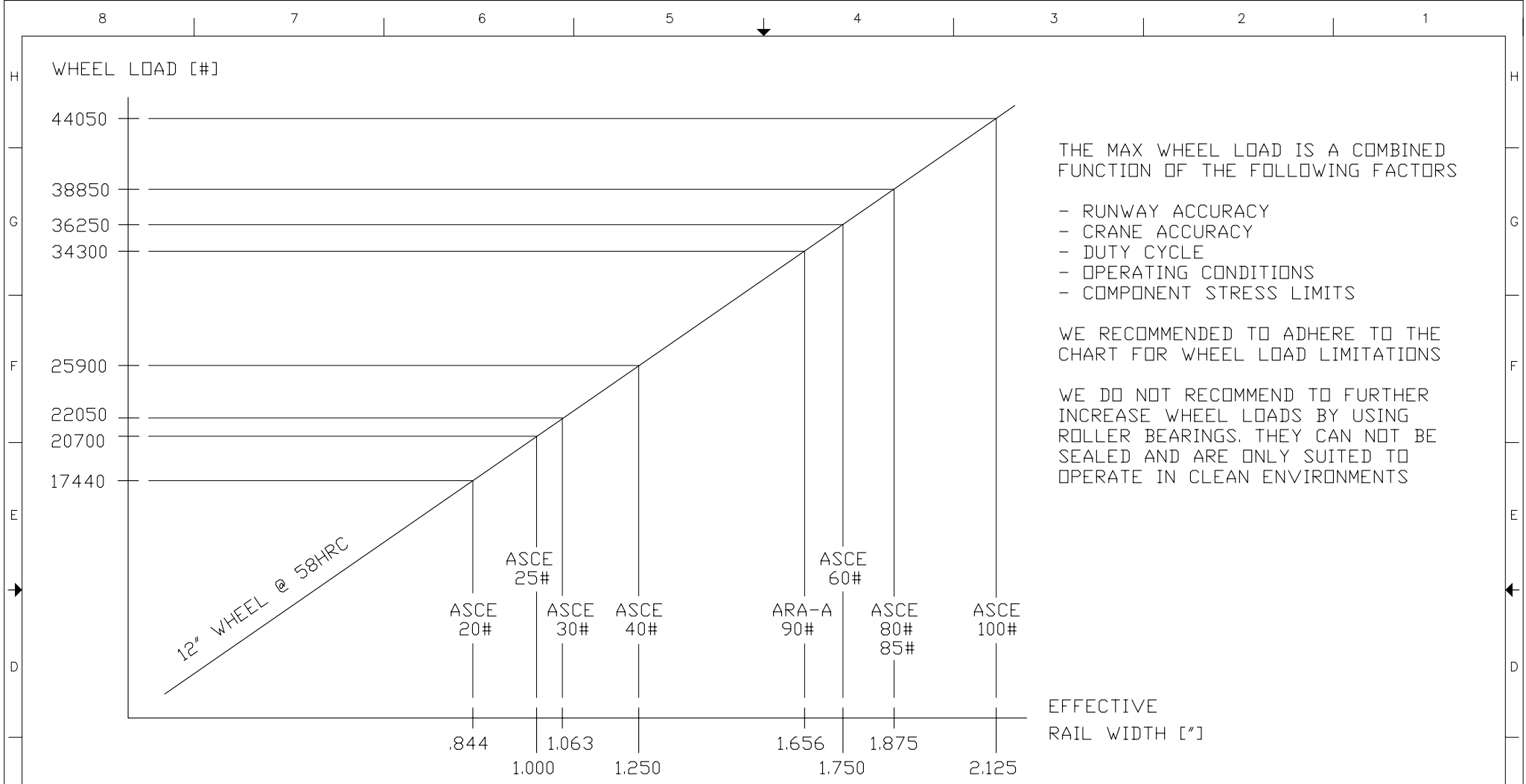
NOTE: X

NOTE: X

NOTE: X

SCALE 1:X

DIRECTORY \



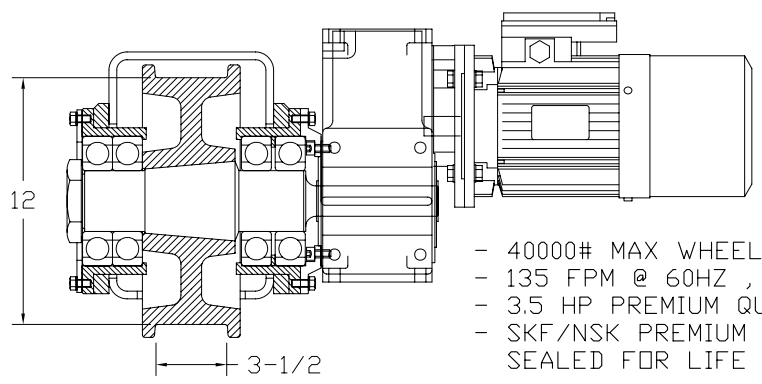
THE MAX WHEEL LOAD IS A COMBINED FUNCTION OF THE FOLLOWING FACTORS

- RUNWAY ACCURACY
- CRANE ACCURACY
- DUTY CYCLE
- OPERATING CONDITIONS
- COMPONENT STRESS LIMITS

WE RECOMMENDED TO ADHERE TO THE CHART FOR WHEEL LOAD LIMITATIONS

WE DO NOT RECOMMEND TO FURTHER INCREASE WHEEL LOADS BY USING ROLLER BEARINGS. THEY CAN NOT BE SEALED AND ARE ONLY SUITED TO OPERATE IN CLEAN ENVIRONMENTS

EFFECTIVE RAIL WIDTH [']



- 40000# MAX WHEEL LOAD
- 135 FPM @ 60HZ , 200 FPM @ 90HZ
- 3.5 HP PREMIUM QUALITY GEARMOTOR
- SKF/NSK PREMIUM QUALITY BEARINGS SEALED FOR LIFE

INDUSTRIAL MAGZA MEX (55) 53 63 23 31 MTY (81) 83 54 10 18
 DIST. AUTORIZADO QRO (442) 1 95 72 60 ventas@industrialmagza.com

DETROIT HOIST	
MAXIMUM WHEEL LOAD CHART ACCORDING TO CMAA TABLE 4.13.3-4 12" WHEEL	
CHART# HRC-12	DRAWN BY / DATE A.B. / 06-02-06