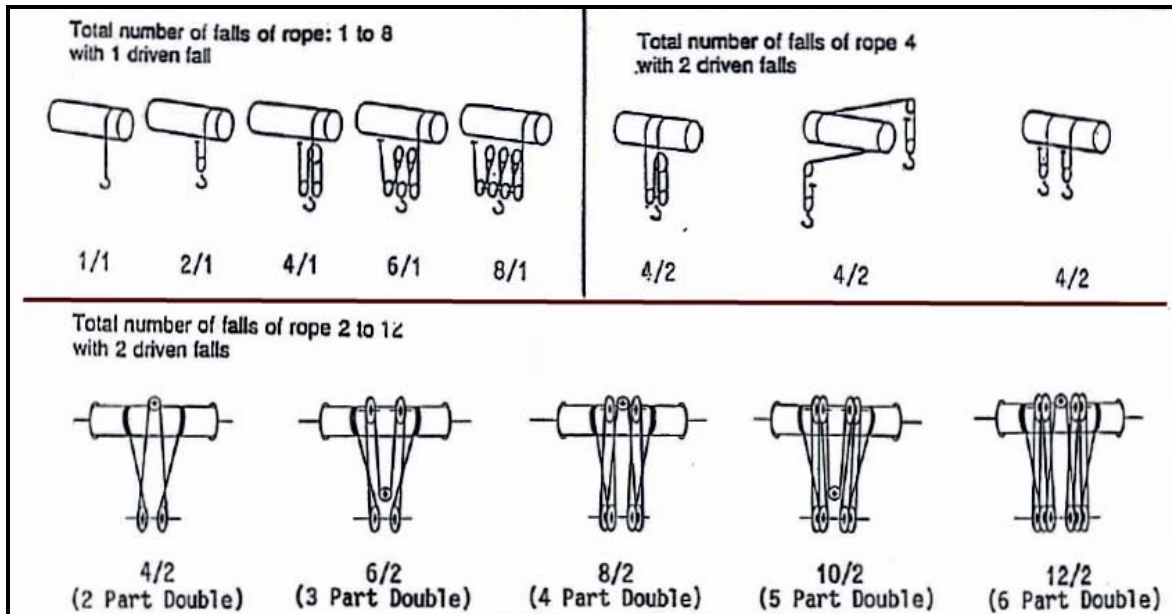
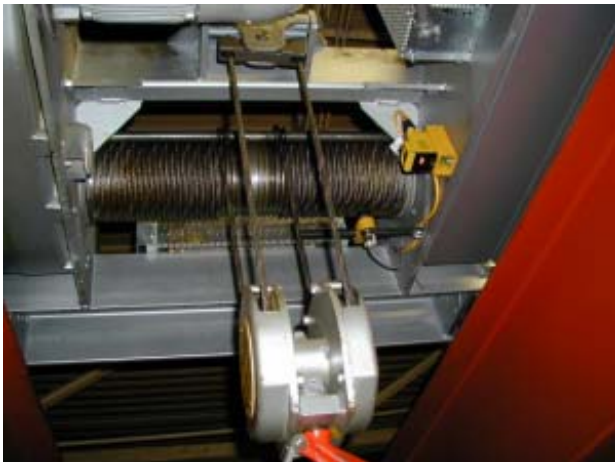


ROPE REEVING ARRANGEMENTS



True vertical lift is standard in almost all wire rope hoists produced by **Detroit Hoist**. Rope drums are machined with left- and right hand grooves. Two separate ropes are anchored at either end of the drum and are winding from the center of the drum outward. This keeps the hook and the load centered beneath the middle of the drum.



This arrangement has distinct advantages over 'single reeved' hoists where the hook wanders from one extreme end of the drum to the other in the highest and lowest hook position:

- ✓ 2, 3 & 4-part double reeved hoists are furnished with our **patented** Rope Equalizer Pivot Lever System (please ask for further information);
- ✓ Load is evenly distributed over all trolley wheels and all structural components;
- ✓ Allows for structures of the crane bridge and the runway to be downsized;