

## 2-12 TERMINAL BLOCK J5 (CLPC Series II Control to Encoder)

### A. Open Collector Quadrature Encoder (With Internal Z Channel Home Sensor)

(See Figure 2.8)

#### TERMINAL BLOCK J5

Terminal #1	Not Used
Terminal #2	Channel Z - Home Input
Terminal #3	Not Used
Terminal #4	Channel A - Input (See Note 2)
Terminal #5	Not Used
Terminal #6	Channel B - Input (See Note 2)
Terminal #7	SP Ground (See Note 1)
Terminal #8	Sensor Power (See Note 1)
Terminal #9	Not Used
Terminal #10	Not Used

#### NOTES:

1. The Internal Home Sensor uses the same power as the Quadrature Sensor.
2. Encoder wiring shown is for C.W. rotation of *Posidyne* output shaft. If C.C.W. rotation is desired reverse "A" and "B" encoder signals.
3. Encoder Channel "A" must lead Channel "B". Slowly rotate the *Posidyne* output shaft in the proper direction and check to be sure light "A" comes on before light "B". If they don't, reverse the "A" and "B" wires. The **CLPC** will count backwards or give an **E6** Error Code if the wires are backwards.

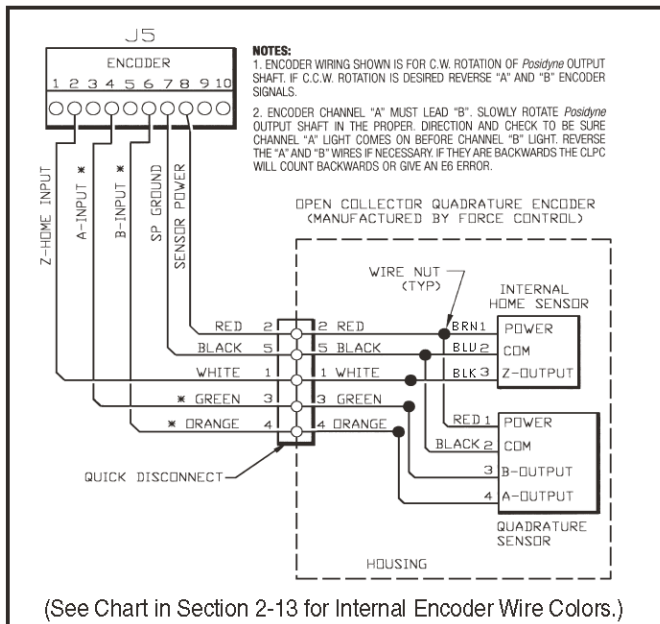


Figure 2.8 - Wiring Diagram - Terminal Block J5 (Open Collector Quad. Encoder with Internal Home Sensor)

### B. Open Collector Quadrature Encoder (With External Z Channel Home Sensor)

(See Figure 2.9)

#### TERMINAL BLOCK J5

Terminal #1	Not Used
Terminal #2	Channel Z - Home Input
Terminal #3	Not Used
Terminal #4	Channel A - Input (See Note 1)
Terminal #5	Not Used
Terminal #6	Channel B - Input (See Note 1)
Terminal #7	SP Ground (Quadrature Sensor)
Terminal #8	Sensor Power (Quadrature Sensor)
Terminal #9	SP Ground (Home Sensor)
Terminal #10	Sensor Power (Home Sensor)

#### NOTES:

1. Encoder wiring shown is for C.W. rotation of *Posidyne* output shaft. If C.C.W. rotation is desired reverse "A" and "B" encoder signals.
2. Encoder Channel "A" must lead Channel "B". Slowly rotate the *Posidyne* output shaft in the proper direction and check to be sure light "A" comes on before light "B". If they don't, reverse the "A" and "B" wires. The **CLPC** will count backwards or give an **E6** Error Code if the wires are backwards.

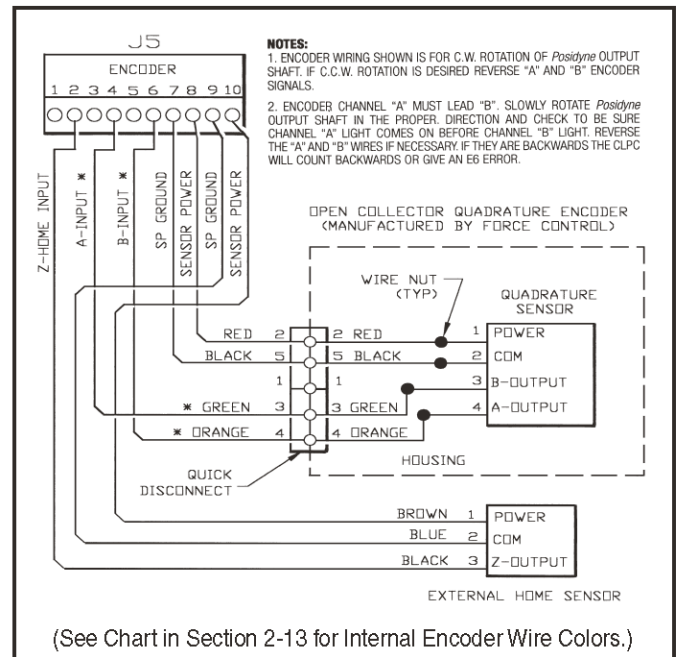


Figure 2.9 - Wiring Diagram - Terminal Block J5 (Open Collector Quad. Encoder with External Home Sensor)

If you are using an Optional Junction Box, the previous J5 Terminals will be wired to the Junction Box Terminals. (See Section 2-14)