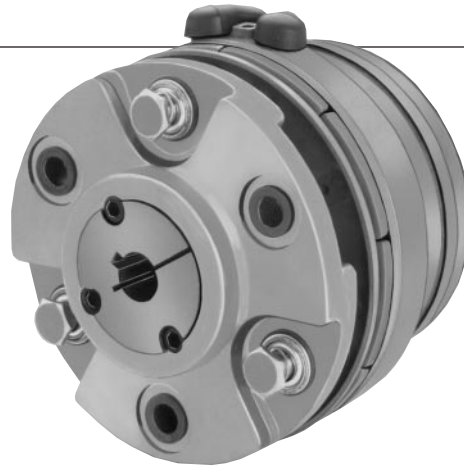
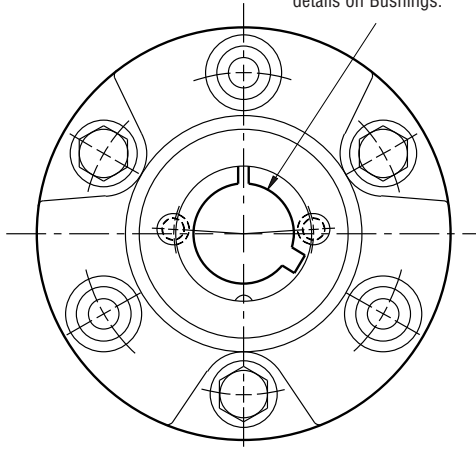


Clutch Coupling

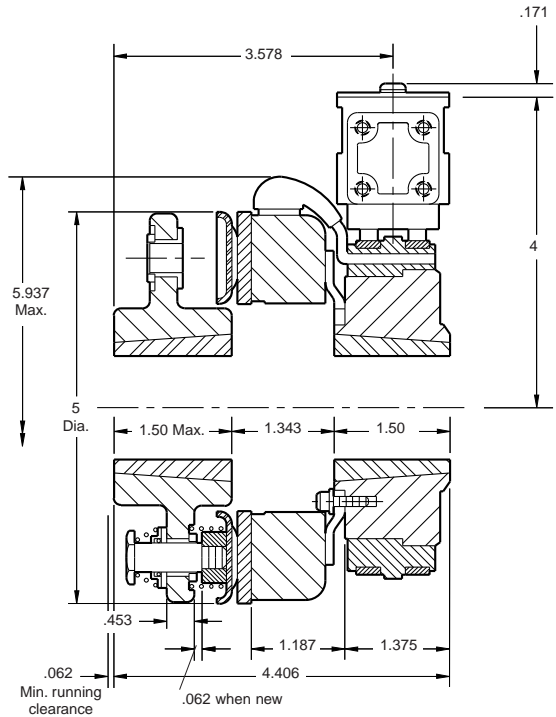
PCC-500 Normal Duty



See page 252 for details on Bushings.

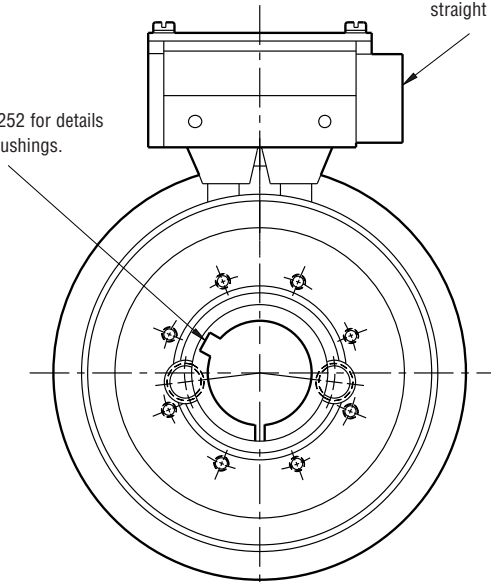


HUB VIEW



1/2-14 NPSM Am. std. straight pipe tap.

See page 252 for details on Bushings.



COLLECTOR RING VIEW

| | |
|------------------|----------------|
| Armature Shaft | .500 – 1.250 |
| Magnet Shaft | .500 – 1.250 |
| Static Torque | 40 lb.ft. |
| Maximum Speed | 5,400 rpm |
| Standard Voltage | D.C. 6, 24, 90 |

All dimensions are nominal unless otherwise noted.

Information on inertia and weights begins on page 239. Coil data is on pages 250 and 251.

Customer Shall Maintain:

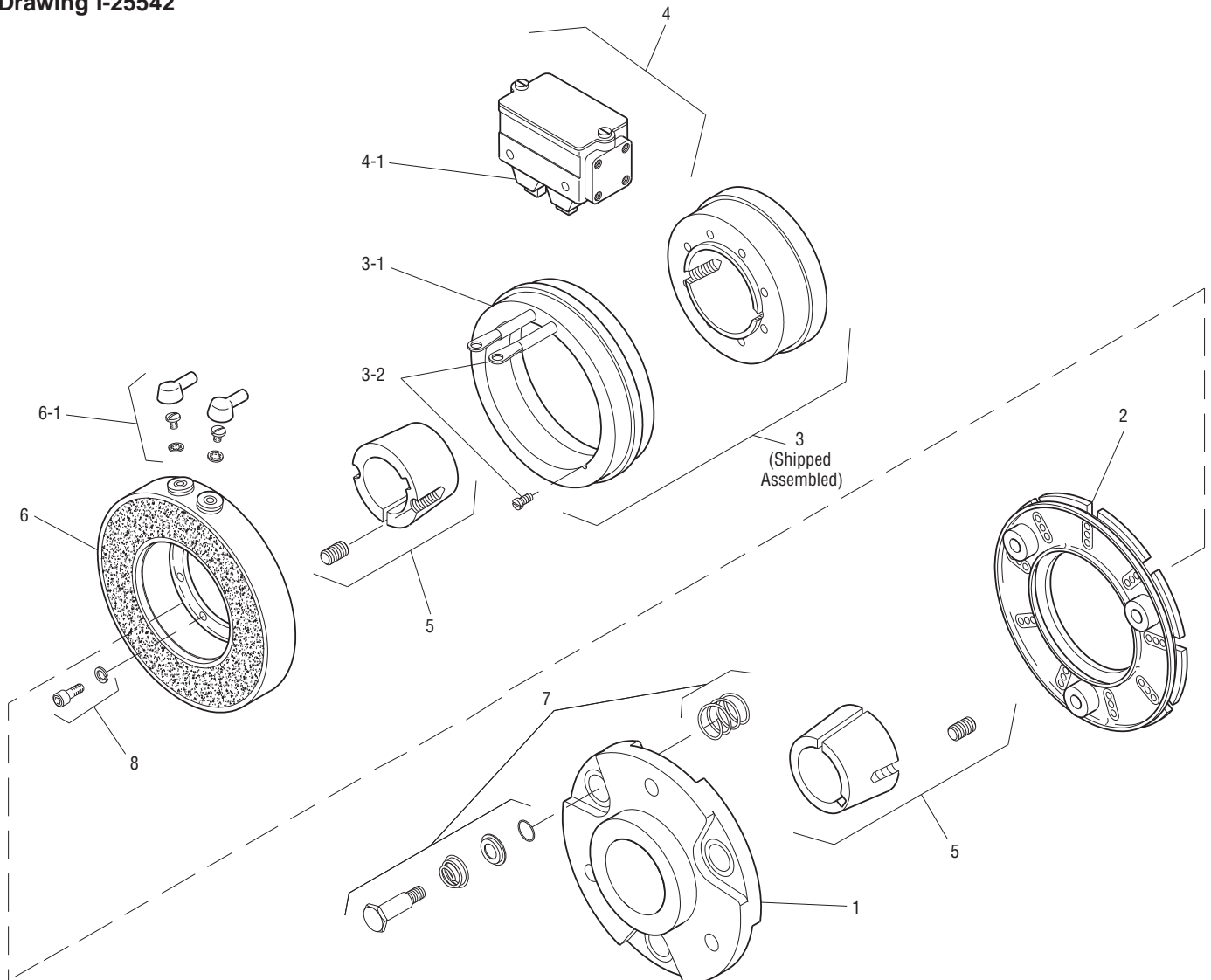
1. Armature mounting shaft concentric with magnet mounting shaft within .006 T.I.R.



Clutch Coupling

PCC-500 Normal Duty

Drawing I-25542



| Item | Description | Part Number | Qty. |
|------|-----------------------------------|----------------------|------|
| 1 | Armature Hub | 5300-541-004 | 1 |
| 2 | Armature | 5300-111-002 | 1 |
| 3 | Magnet Hub | 5300-541-001 | 1 |
| 3-1 | Collector Ring | 5300-749-001 | 1 |
| 3-2 | Collector Ring Mounting Accessory | 5300-101-002 | 1 |
| 4 | Brushholder | 5300-178-001 | 1 |
| 4-1 | Brush | 176-0001 | 4 |
| 5 | Bushing* | | 2 |
| | 1/2" to 1-1/4" Bore | 180-0116 to 180-0128 | |
| 6 | Magnet | | |
| | 6 Volt | 5300-631-002 | |
| | 24 Volt | 5300-631-003 | |
| | 90 Volt | 5300-631-005 | |
| 6-1 | Terminal Accessory | 5311-101-001 | 1 |
| 7 | Autogap Accessory | 5200-101-009 | 3 |

| Item | Description | Part Number | Qty. |
|------|--------------------|--------------|------|
| 8 | Mounting Accessory | 5102-101-001 | 2 |

How to Order:

1. Specify Bore Size for Item 5 (two shafts).
2. Specify Voltage for Item 7.
3. See Controls Section.

Example:

PCC-500 Clutch Coupling per I-25542 - 90 Volt
3/4" Bore

These units meet standards set forth in UL508 and are listed under guide card #NMTR2, file #59164.

These units are CSA certified under file #LR11543

*See page 252 for specific part numbers.

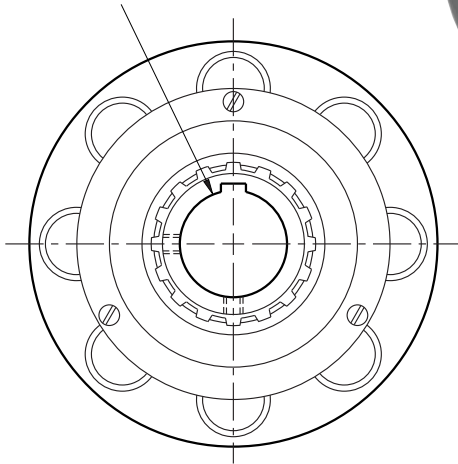
Refer to Service Manual P-203.

Clutch Coupling

PCC-500 Heavy Duty

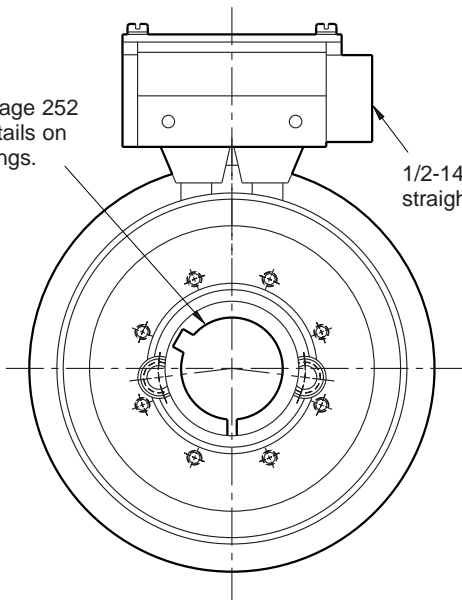


For Bore & Keyway sizes see chart below.

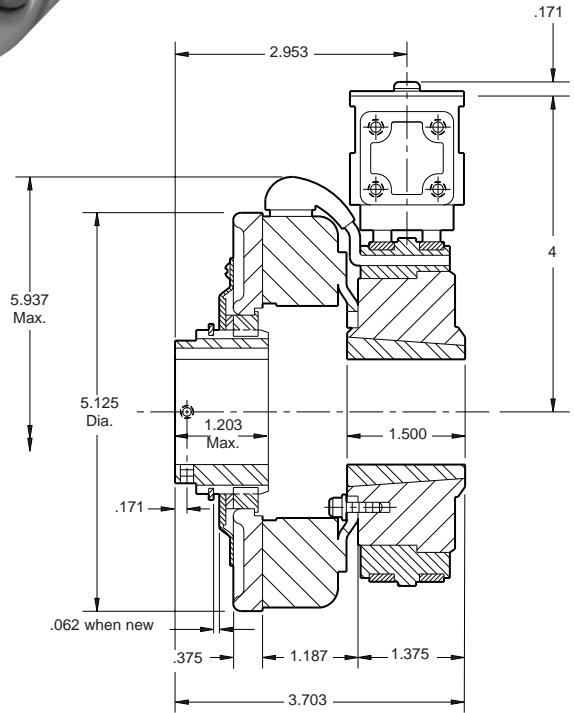


ARMATURE VIEW

See page 252 for details on Bushings.



COLLECTOR RING VIEW



Bore & Keyway Dimensions

| Armature Bore Dia. | Keyway |
|--------------------|-------------|
| .751/.750 | .187 x .093 |
| .876/.875 | |
| .9385/.9375 | |
| 1.001/1.000 | .250 x .125 |
| 1.126/1.125 | |
| 1.251/1.250 | |

| | |
|------------------|----------------|
| Armature Shaft | .750 – 1.250 |
| Magnet Shaft | .500 – 1.250 |
| Static Torque | 40 lb.ft. |
| Maximum Speed | 5,400 rpm |
| Standard Voltage | D.C. 6, 24, 90 |

All dimensions are nominal unless otherwise noted.

Information on inertia and weights begins on page 239. Coil data is on pages 250 and 251.

Customer Shall Maintain:

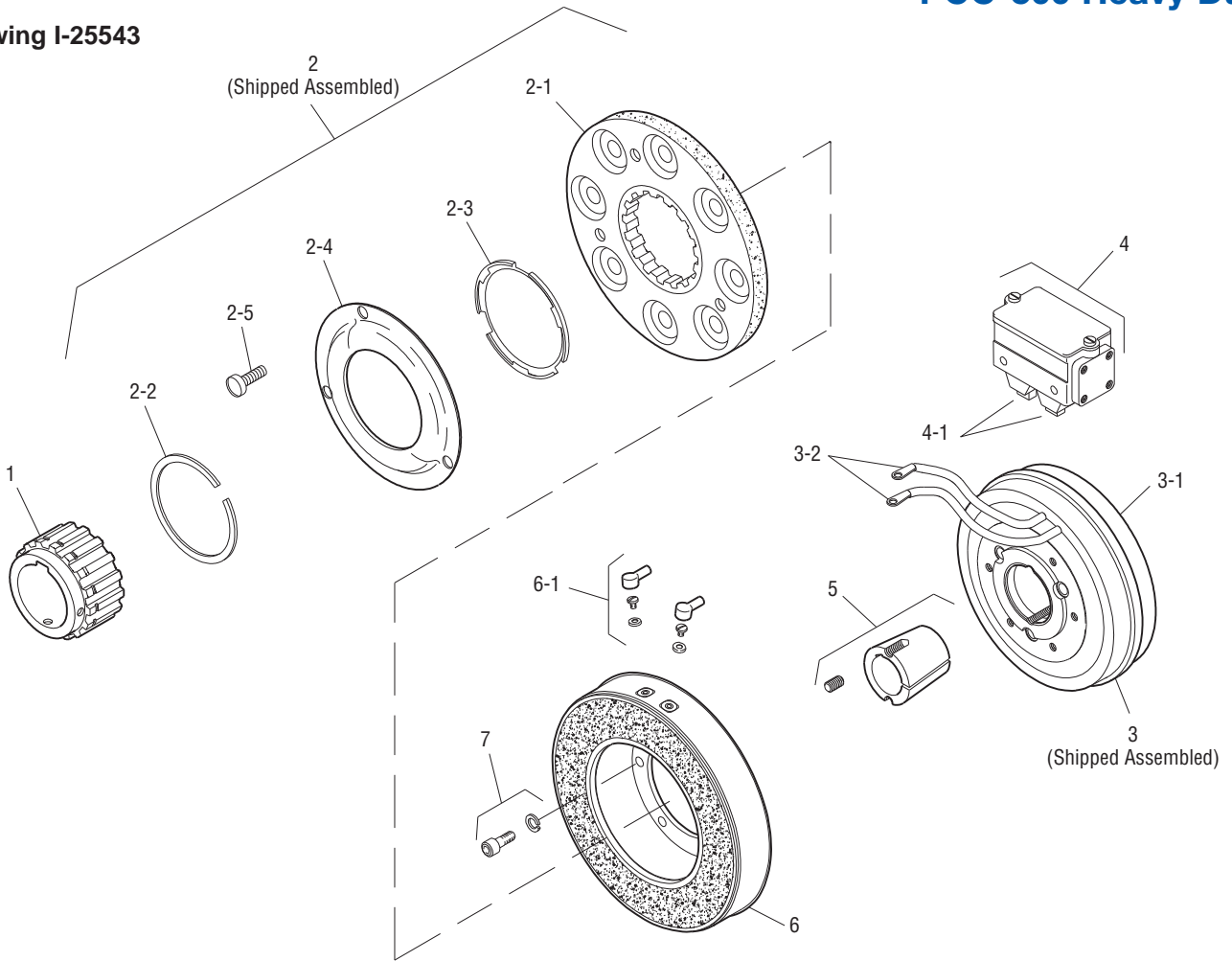
1. Armature mounting shaft concentric with magnet mounting shaft within .006 T.I.R.



Clutch Coupling

PCC-500 Heavy Duty

Drawing I-25543



| Item | Description | Part Number | Qty. |
|------|------------------------------|----------------------|------|
| 1 | Armature Hub | | 1 |
| | 3/4" Bore | 5200-541-002 | |
| | 7/8" Bore | 5200-541-003 | |
| | 15/16" Bore | 5200-541-004 | |
| | 1" Bore | 5200-541-005 | |
| | 1-1/8" Bore | 5200-541-006 | |
| | 1-1/4" Bore | 5200-541-007 | |
| 2 | Armature Assembly | 5230-111-002 | 1 |
| 2-1 | Armature | 5230-111-001 | 1 |
| 2-2 | Retainer Ring | 748-0355 | 1 |
| 2-3 | Autogap Spring | 808-0412 | 1 |
| 2-4 | Retainer Plate | 748-0364 | 1 |
| 2-5 | Screw | 797-0028 | 3 |
| 3 | Magnet Hub | 5300-541-001 | 1 |
| 3-1 | Collector Ring | 5300-749-001 | 1 |
| 3-2 | Collector Ring Mounting Acc. | 5300-101-002 | 1 |
| 4 | Brushholder | 5300-178-001 | 1 |
| 4-1 | Brush | 176-0001 | 4 |
| 5 | Bushing* | | 2 |
| | 1/2" to 1-1/4" Bore | 180-0116 to 180-0128 | |

| Item | Description | Part Number | Qty. |
|------|--------------------|--------------|------|
| 6 | Magnet | | 1 |
| | 6 Volt | 5300-631-002 | |
| | 24 Volt | 5300-631-003 | |
| | 90 Volt | 5300-631-005 | |
| 6-1 | Terminal Accessory | 5311-101-001 | 1 |
| 7 | Mounting Accessory | 5102-101-001 | 2 |

How to Order:

1. Specify Bore Size for Item 1 and Item 5.
2. Specify Voltage for Item 6.
3. See Controls Section.

Example:

PCC-500 Clutch Coupling per I-25543 - 90 Volt
 3/4" Armature Hub Bore
 1" Bushing Bore

These units meet standards set forth in UL508 and are listed under guide card #NMTR2, file #59164.

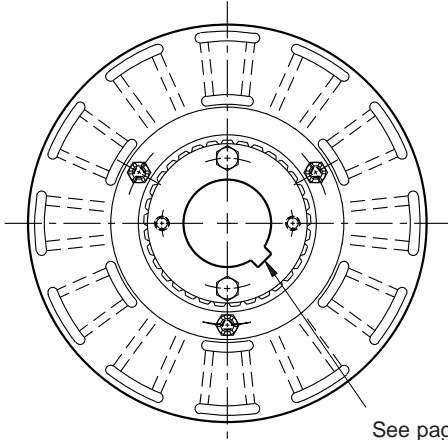
These units are CSA certified under file #LR11543.

*See page 252 for specific part numbers.

Refer to Service Manual P-203.

Clutch Coupling

PCC-825

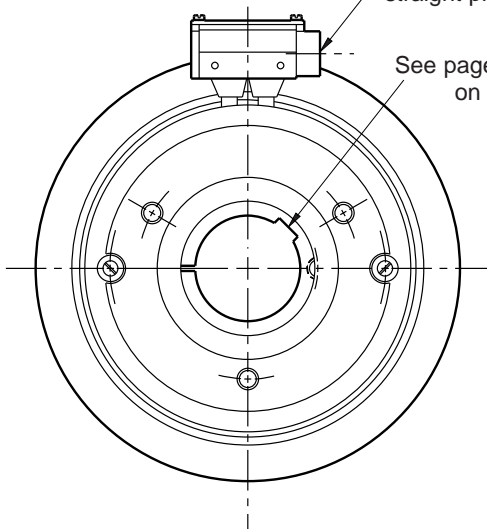


See page 252 for details on Bushings.

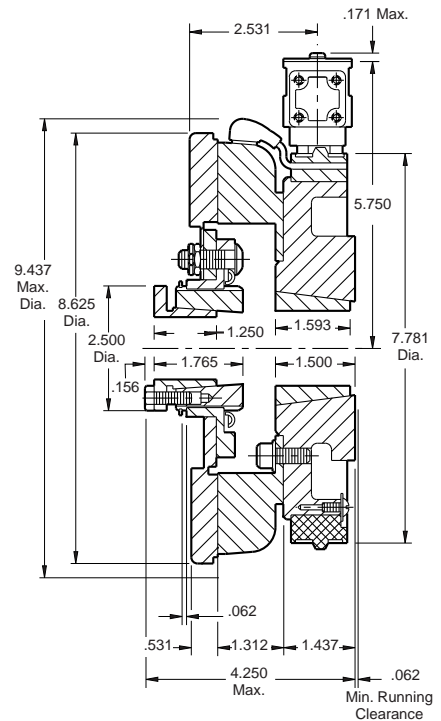
ARMATURE VIEW

1/2-14 NPSM Am. std. straight pipe tap.

See page 252 for details on Bushings.



COLLECTOR RING VIEW



| | |
|------------------|----------------|
| Armature Shaft | .500 – 1.500 |
| Magnet Shaft | .500 – 1.625 |
| Static Torque | 125 lb.ft. |
| Maximum Speed | 4,000 rpm |
| Standard Voltage | D.C. 6, 24, 90 |

Customer Shall Maintain:

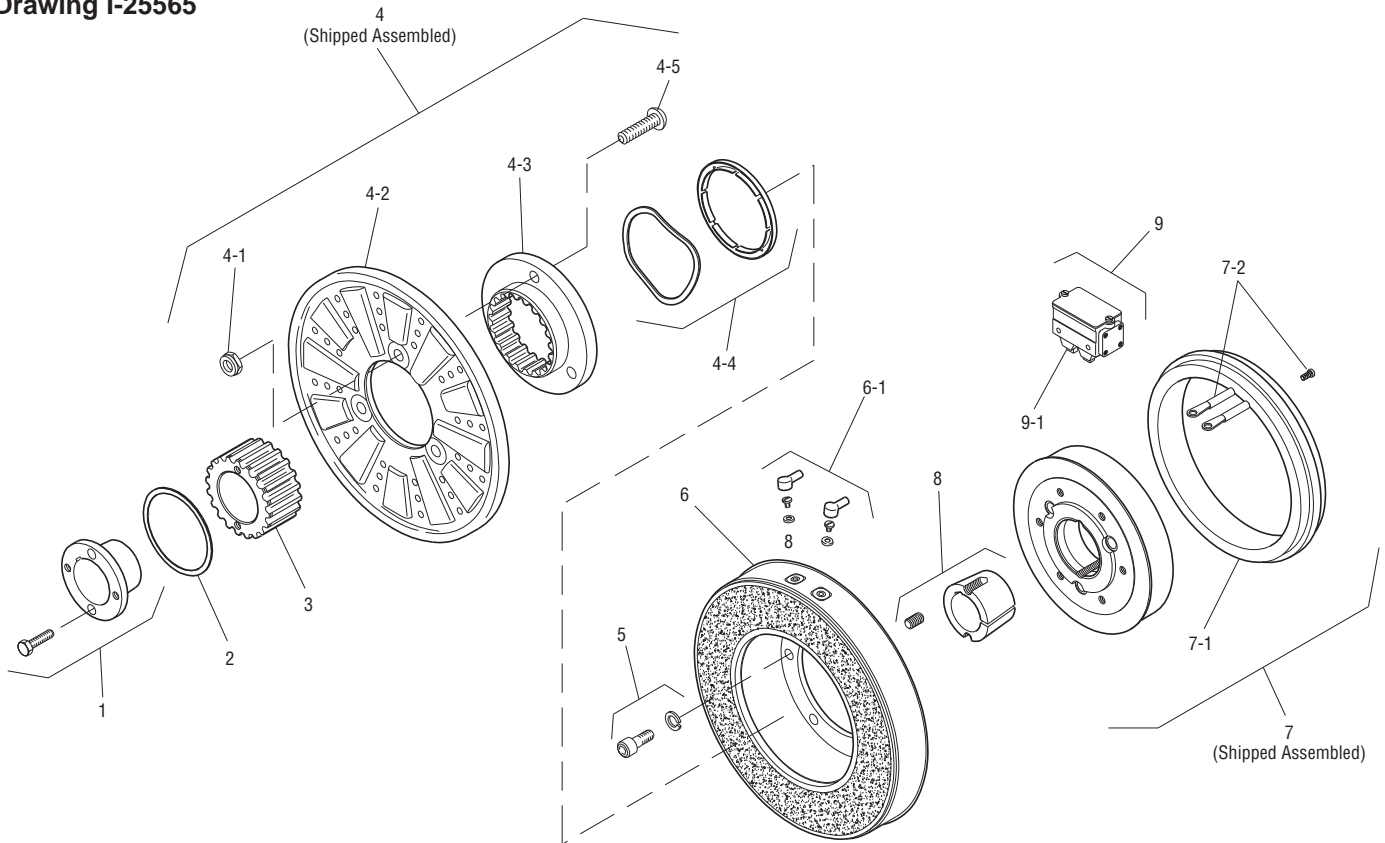
1. Armature mounting shaft concentric with magnet mounting shaft within .006 T.I.R.
2. Angular alignment of shafts within 1/2 degree.

All dimensions are nominal unless otherwise noted.

Information on inertia and weights begins on page 239. Coil data is on pages 250 and 251.



Drawing I-25565



| Item | Description | Part Number | Qty. |
|------|----------------------------|----------------------|------|
| 1 | Bushing* | | 1 |
| | 1/2" to 1-1/2" Bore | 180-0002 to 180-0018 | |
| 2 | Retainer Ring | 748-0006 | 1 |
| 3 | Splined Hub | 540-0057 | 1 |
| 4 | Armature & Splined Adapter | 5321-111-001 | 1 |
| 4-1 | Locknut | 661-0004 | 3 |
| 4-2 | Armature | 5321-111-022 | 1 |
| 4-3 | Splined Adapter | 104-0008 | 1 |
| 4-4 | Autogap Accessory | 5321-101-006 | 1 |
| 4-5 | Screw | 797-0272 | 3 |
| 5 | Mounting Accessory | 5321-101-001 | 1 |
| 6 | Magnet | | 1 |
| | 6 Volt | 5301-631-002 | |
| | 24 Volt | 5301-631-004 | |
| | 90 Volt | 5301-631-005 | |
| 6-1 | Terminal Accessory | 5311-101-001 | 1 |
| 7 | Magnet Hub | | 1 |
| | Left Hand (shown) | 5301-541-001 | |
| | Right Hand | 5301-541-002 | |
| 7-1 | Collector Ring | 5301-749-001 | 1 |
| 7-2 | Collector Ring Accessory | 5301-101-002 | 1 |
| 8 | Bushing* | | 1 |
| | 1/2" to 1-5/8" Bore | 180-0131 to 180-0149 | |

| Item | Description | Part Number | Qty. |
|------|-------------|--------------|------|
| 9 | Brushholder | 5300-178-001 | 1 |
| 9-1 | Brush | 176-0001 | 4 |

How to Order:

1. Specify Bore Size for Item 1.
2. Specify Voltage for Item 6.
3. Specify left hand or right hand hub for Item 7. (Bushing enters from magnet side for L.H. hub and from hub side for R.H.)
4. Specify Bore Size for Item 8.
5. See Controls Section.

Example:

PCC-825 Clutch Coupling per I-25565 - 90 Volt, L.H. hub, 1" Bore (Item 1), 1-1/2" Bore (Item 8)

These units meet the standards of UL508 and are listed under guide card #NMTR2, file #59164.

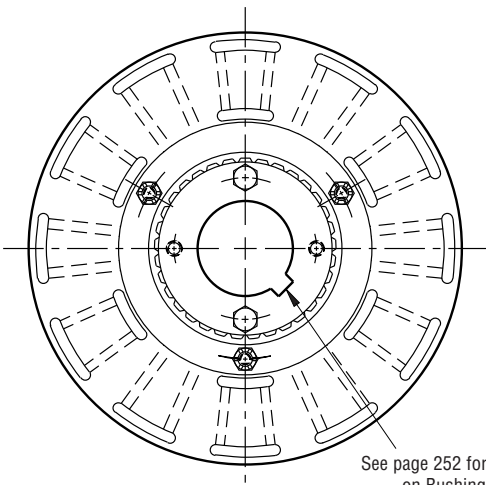
These units are CSA certified under file #LR11543

*See page 252 for specific part numbers.

Refer to Service Manual P-206.

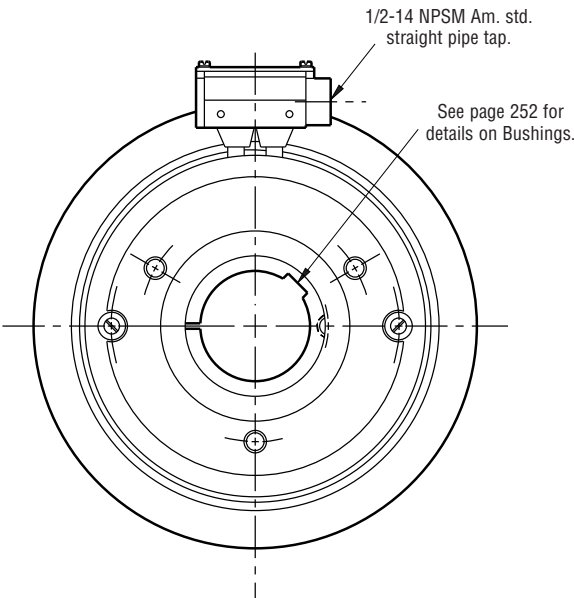
Clutch Coupling

PCC-1000



See page 252 for details on Bushings.

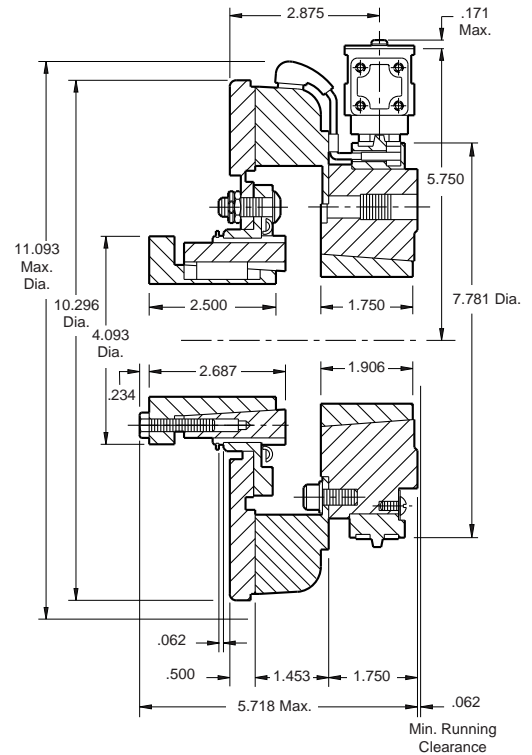
ARMATURE VIEW



1/2-14 NPSM Am. std. straight pipe tap.

See page 252 for details on Bushings.

COLLECTOR RING VIEW



| | |
|------------------|----------------|
| Armature Shaft | .750 – 2.687 |
| Magnet Shaft | .500 – 2.500 |
| Static Torque | 240 lb.ft. |
| Maximum Speed | 3,600 rpm |
| Standard Voltage | D.C. 6, 24, 90 |

Customer Shall Maintain:

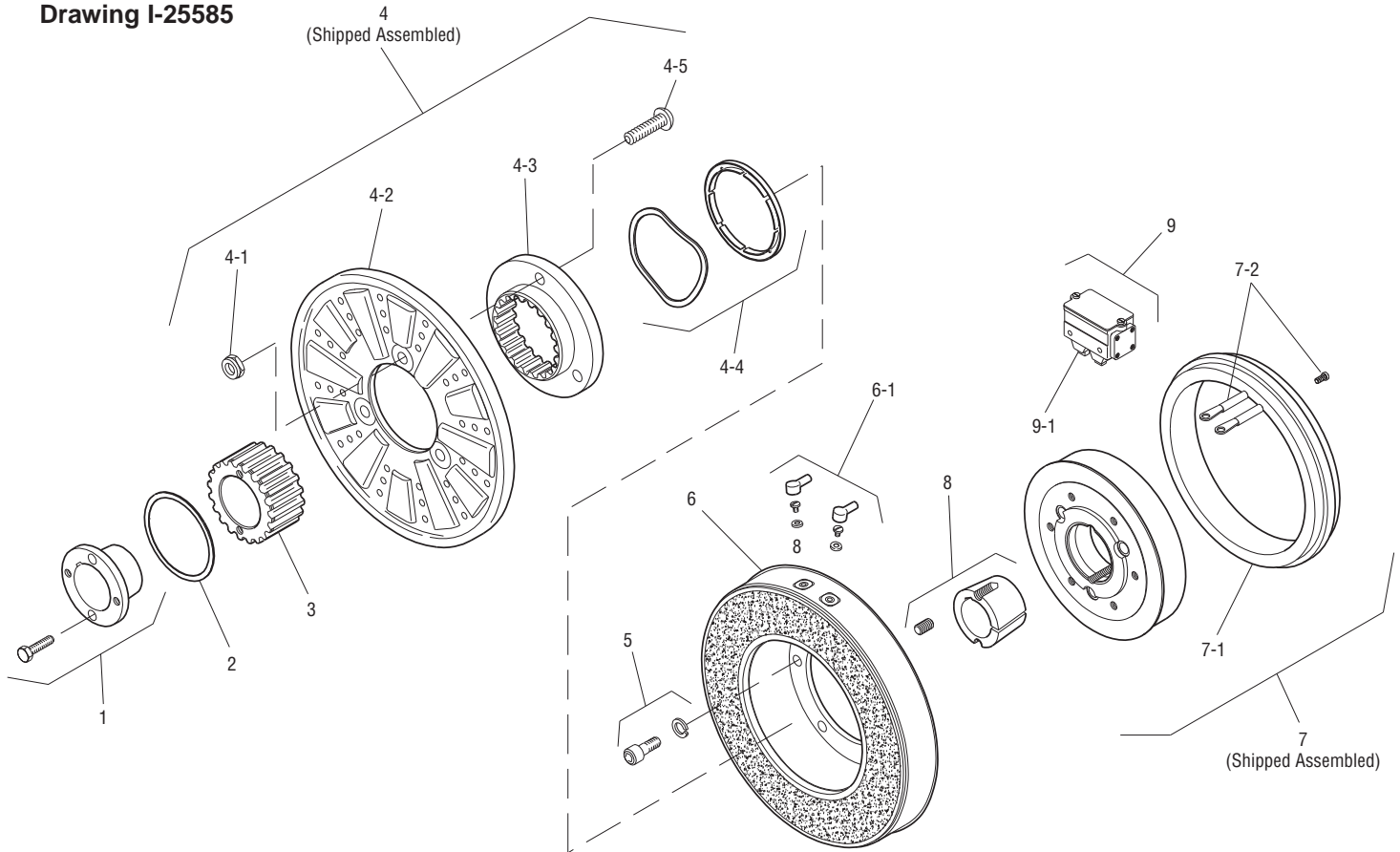
1. Armature mounting shaft concentric with magnet mounting shaft within .006 T.I.R.
2. Angular alignment of shafts within 1/2 degree.

All dimensions are nominal unless otherwise noted.

Information on inertia and weights begins on page 239. Coil data is on pages 250 and 251.



Drawing I-25585



| Item | Description | Part Number | Qty. |
|------|----------------------------|----------------------|------|
| 1 | Bushing* | | 1 |
| | 3/4" to 2-11/16" Bore | 180-0026 to 180-0057 | |
| 2 | Retainer Ring | 748-0007 | 1 |
| 3 | Splined Hub | 540-0062 | 1 |
| 4 | Armature & Splined Adapter | 5322-111-002 | 1 |
| 4-1 | Locknut | 661-0004 | 3 |
| 4-2 | Armature | 5322-111-036 | 1 |
| 4-3 | Splined Adapter | 104-0009 | 1 |
| 4-4 | Autogap Accessory | 5322-101-004 | 1 |
| 4-5 | Screw | 797-0272 | 3 |
| 5 | Mounting Accessory | 5321-101-001 | 1 |
| 6 | Magnet | | 1 |
| | 6 Volt | 5302-631-003 | |
| | 24 Volt | 5302-631-014 | |
| | 90 Volt | 5302-631-005 | |
| 6-1 | Terminal Accessory | 5311-101-001 | 1 |
| 7 | Magnet Hub | | 1 |
| | Left Hand (shown) | 5302-541-001 | |
| | Right Hand | 5302-541-002 | |
| 7-1 | Collector Ring | 5301-749-001 | 1 |
| 7-2 | Collector Ring Accessory | 5302-101-002 | 1 |

| Item | Description | Part Number | Qty. |
|------|---------------------|----------------------|------|
| 8 | Bushing* | | 1 |
| | 1/2" to 2-1/2" Bore | 180-0185 to 180-0217 | |
| 9 | Brushholder | 5300-178-001 | 1 |
| 9-1 | Brush | 176-0001 | 4 |

How to Order:

1. Specify Bore Size for Item 1.
2. Specify Voltage for Item 6.
3. Specify left hand or right hand hub for Item 7. (Bushing enters from magnet side for L.H. hub and from hub side for R.H.)
4. Specify Bore Size for Item 8.
5. See Controls Section.

Example:

PCC-1000 Clutch Coupling per I-25585 - 90 Volt, L.H. hub, 1-1/2" Bore (Item 1), 2" Bore (Item 8)

These units meet the standards of UL508 and are listed under guide card #NMTR2, file #59164.

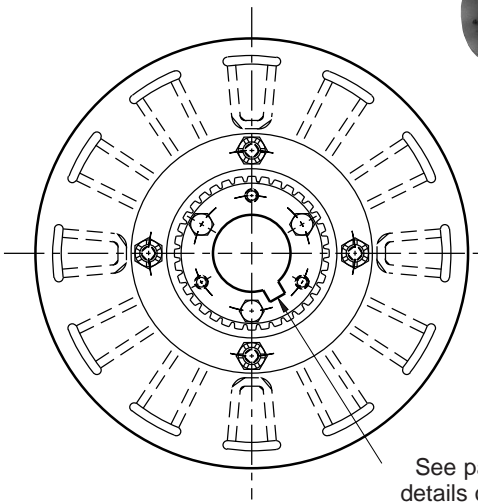
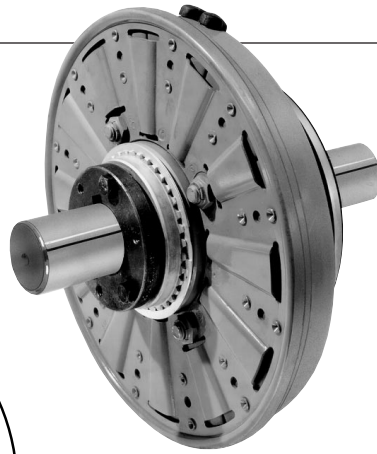
These units are CSA certified under file #LR11543

*See page 252 for specific part numbers.

Refer to Service Manual P-206.

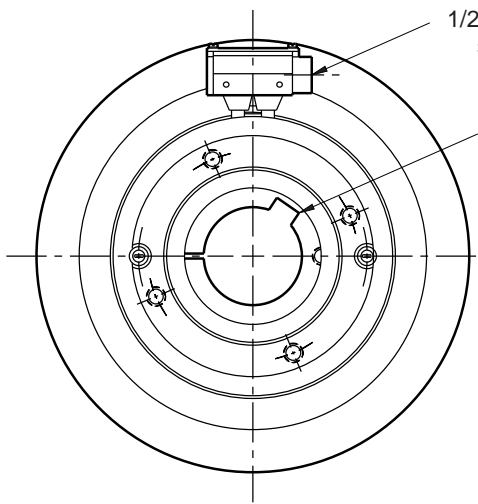
Clutch Coupling

PCC-1225



ARMATURE VIEW

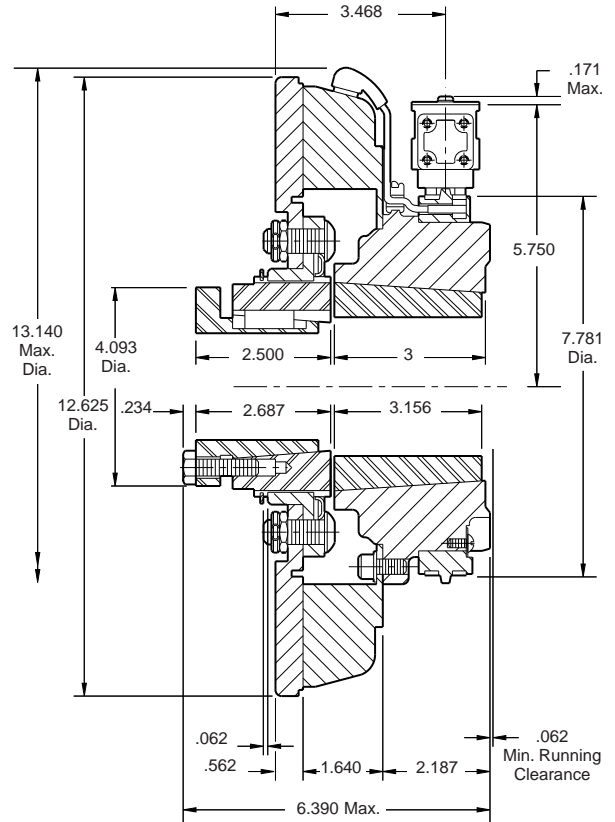
See page 252 for details on Bushings.



**PCC-1225
COLLECTOR RING VIEW**

1/2-14 NPSM Am. std. straight pipe tap.

See page 252 for details on Bushings.



| | |
|------------------|----------------|
| Armature Shaft | .750 – 2.687 |
| Magnet Shaft | .937 – 3.00 |
| Static Torque | 465 lb.ft. |
| Maximum Speed | 3,000 rpm |
| Standard Voltage | D.C. 6, 24, 90 |

Customer Shall Maintain:

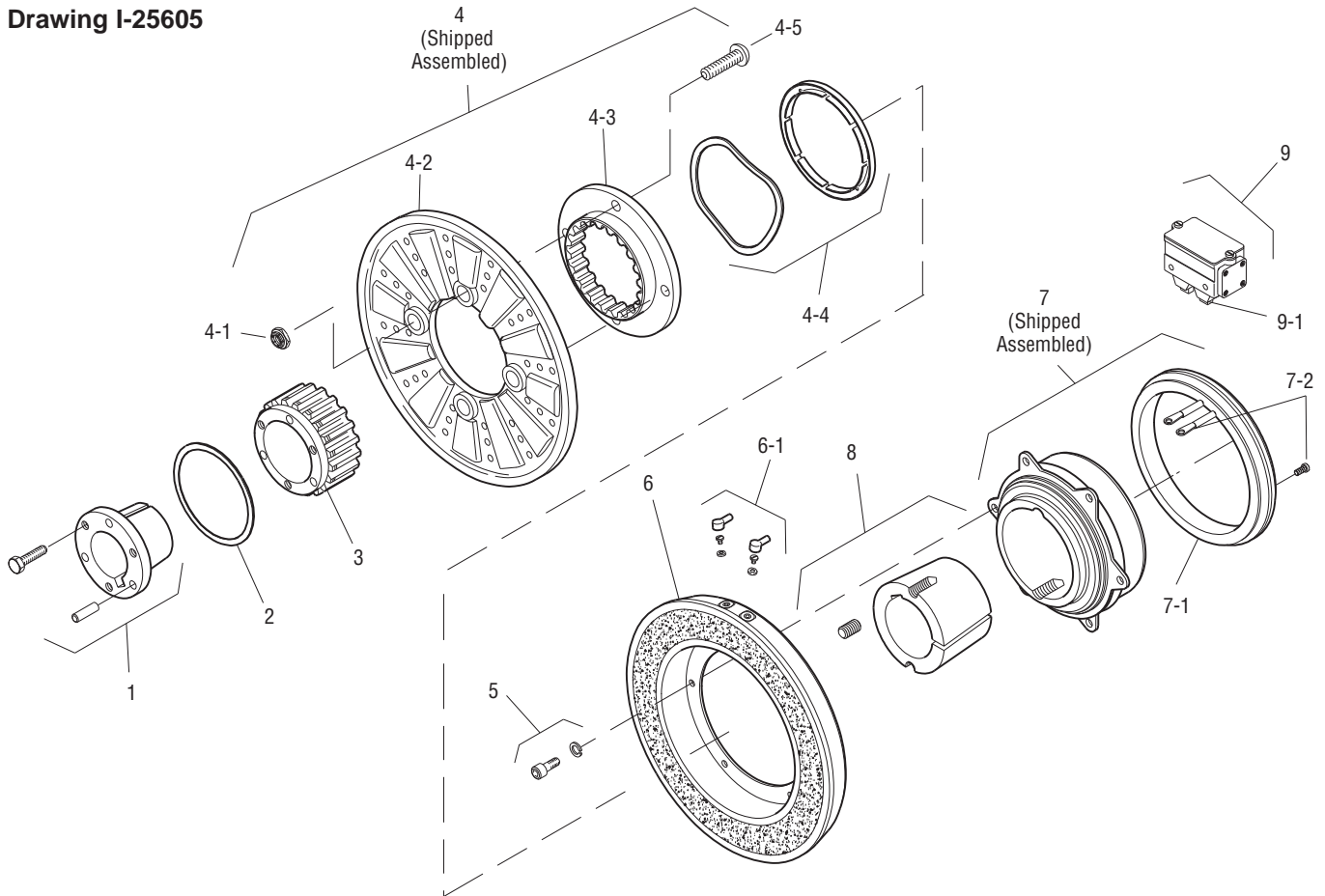
1. Armature mounting shaft concentric with magnet mounting shaft within .006 T.I.R.
2. Angular alignment of shafts within 1/2 degree.

All dimensions are nominal unless otherwise noted.

Information on inertia and weights begins on page 239. Coil data is on pages 250 and 251.



Drawing I-25605



| Item | Description | Part Number | Qty. |
|------|----------------------------|----------------------|------|
| 1 | Bushing* | | 1 |
| | 3/4" to 2-11/16" Bore | 180-0026 to 180-0057 | |
| 2 | Retainer Ring | 748-0005 | 1 |
| 3 | Splined Hub | 540-0064 | 1 |
| 4 | Armature & Splined Adapter | 5323-111-001 | 1 |
| 4-1 | Locknut | 661-0005 | 4 |
| 4-2 | Armature | 5323-111-034 | 1 |
| 4-3 | Splined Adapter | 104-0010 | 1 |
| 4-4 | Autogap Accessory | 5323-101-002 | 1 |
| 4-5 | Screw | 797-0281 | 4 |
| 5 | Mounting Accessory | 5321-101-001 | 1 |
| 6 | Magnet | | 1 |
| | 6 Volt | 5303-631-005 | |
| | 24 Volt | 5303-631-007 | |
| | 90 Volt | 5303-631-008 | |
| 6-1 | Terminal Accessory | 5311-101-001 | 1 |
| 7 | Magnet Hub | | 1 |
| | Left Hand (shown) | 5303-541-001 | |
| | Right Hand | 5303-541-002 | |
| 7-1 | Collector Ring | 5301-749-001 | 1 |
| 7-2 | Collector Ring Accessory | 5303-101-004 | 1 |

| Item | Description | Part Number | Qty. |
|------|-------------------|----------------------|------|
| 8 | Bushing* | | 1 |
| | 15/16" to 3" Bore | 180-0262 to 180-0295 | |
| 9 | Brushholder | 5300-178-001 | 1 |
| 9-1 | Brush | 176-0001 | 4 |

How to Order:

1. Specify Bore Size for Item 1.
2. Specify Voltage for Item 6.
3. Specify left hand or right hand hub for Item 7. (Bushing enters from magnet side for L.H. hub and from hub side for R.H.)
4. Specify Bore Size for Item 8.
5. See Controls Section.

Example:

PCC-1225 Clutch Coupling per I-25605 - 90 Volt, L.H. hub, 1-1/2" Bore (Item 1), 2" Bore (Item 8)

These units meet the standards of UL508 and are listed under guide card #NMTR2, file #59164.

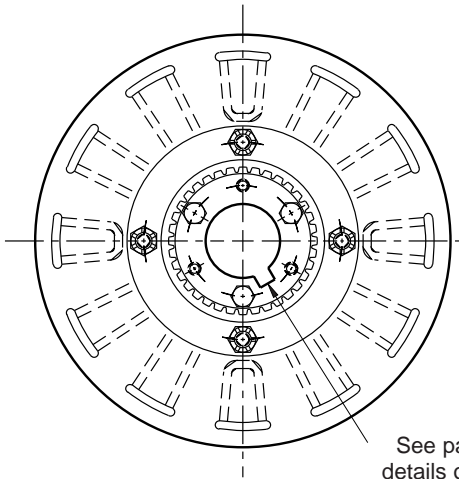
These units are CSA certified under file #LR11543.

*See page 252 for specific part numbers.

Refer to Service Manual P-206.

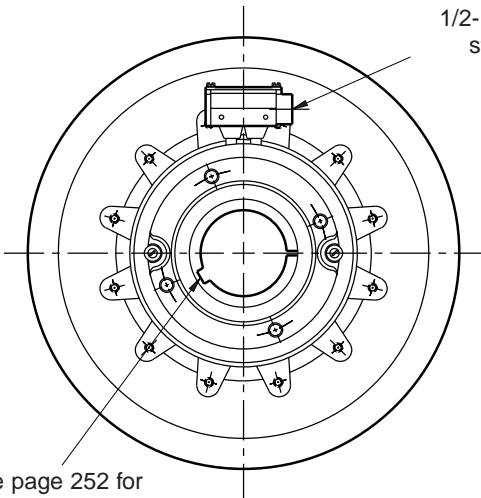
Clutch Coupling

PCC-1525



ARMATURE VIEW

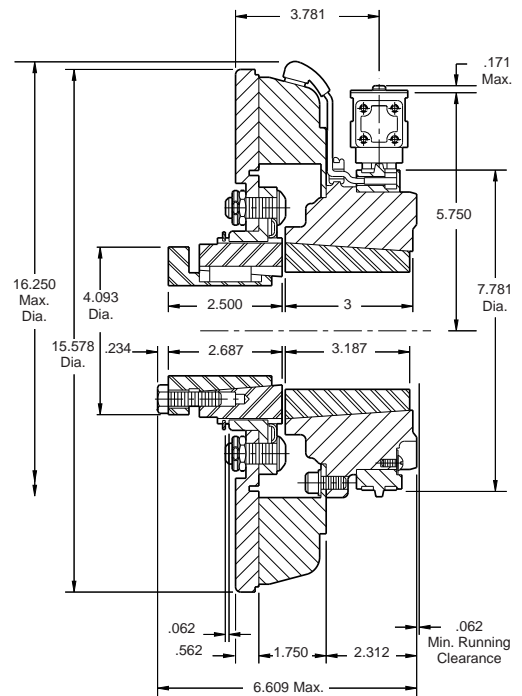
See page 252 for details on Bushings.



**PCC-1525
COLLECTOR RING VIEW**

See page 252 for details on Bushings.

1/2-14 NPSM Am. std. straight pipe tap.



| | |
|------------------|----------------|
| Armature Shaft | .750 – 2.687 |
| Magnet Shaft | .937 – 3.00 |
| Static Torque | 700 lb.ft. |
| Maximum Speed | 2,000 rpm |
| Standard Voltage | D.C. 6, 24, 90 |

Customer Shall Maintain:

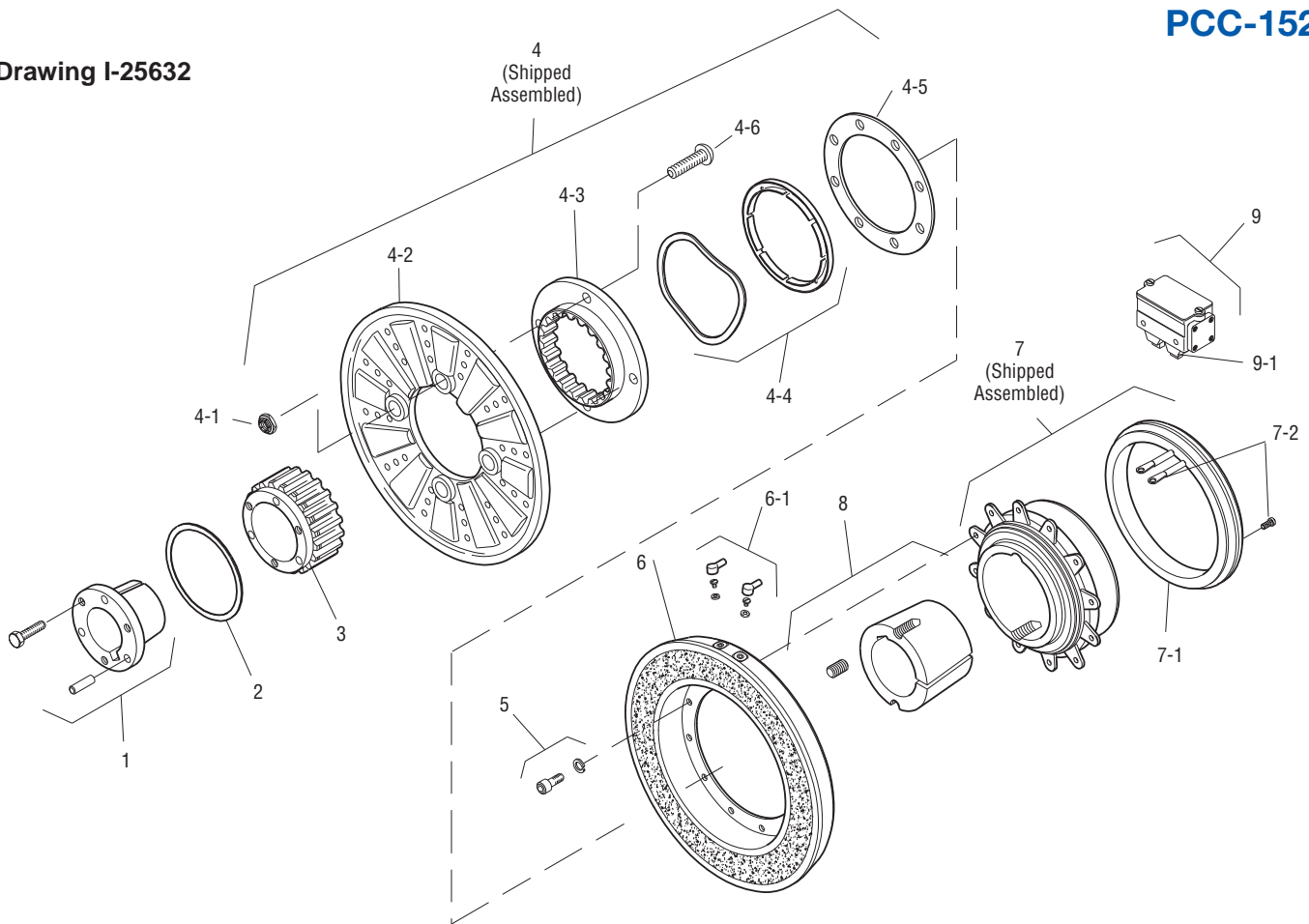
1. Armature mounting shaft concentric with magnet mounting shaft within .006 T.I.R.
2. Angular alignment of shafts within 1/2 degree.

All dimensions are nominal unless otherwise noted.

Information on inertia and weights begins on page 239. Coil data is on pages 250 and 251.



Drawing I-25632



| Item | Description | Part Number | Qty. |
|------|----------------------------|----------------------|------|
| 1 | Bushing* | | 1 |
| | 3/4" to 2-11/16" Bore | 180-0026 to 180-0057 | |
| 2 | Retainer Ring | 748-0005 | 1 |
| 3 | Splined Hub | 540-0064 | 1 |
| 4 | Armature & Splined Adapter | 5324-111-001 | 1 |
| 4-1 | Locknut | 661-0004 | 8 |
| 4-2 | Armature | 5324-111-034 | 1 |
| 4-3 | Splined Adapter | 104-0011 | 1 |
| 4-4 | Autogap Accessory | 5323-101-002 | 1 |
| 4-5 | Retainer Plate | 686-0003 | 1 |
| 4-6 | Screw | 797-0272 | 8 |
| 5 | Mounting Accessory | 5321-101-001 | 2 |
| 6 | Magnet | | 1 |
| | 6 Volt | 5304-631-009 | |
| | 24 Volt | 5304-631-011 | |
| | 90 Volt | 5304-631-010 | |
| 6-1 | Terminal Accessory | 5311-101-001 | 1 |
| 7 | Magnet Hub | | 1 |
| | Left Hand (shown) | 5304-541-001 | |
| | Right Hand | 5304-541-002 | |
| 7-1 | Collector Ring | 5301-749-001 | 1 |
| 7-2 | Collector Ring Accessory | 5304-101-004 | 1 |

| Item | Description | Part Number | Qty. |
|------|-------------------|----------------------|------|
| 8 | Bushing* | | 1 |
| | 15/16" to 3" Bore | 180-0262 to 180-0295 | |
| 9 | Brushholder | 5300-178-001 | 1 |
| 9-1 | Brush | 176-0001 | 4 |

How to Order:

1. Specify Bore Size for Item 1.
2. Specify Voltage for Item 6.
3. Specify left hand or right hand hub for Item 7. (Bushing enters from magnet side for L.H. hub and from hub side for R.H.)
4. Specify Bore Size for Item 8.
5. See Controls Section.

Example:

PCC-1525 Clutch Coupling per I-25632 - 90 Volt, L.H. hub, 1-1/2" Bore (Item 1), 2" Bore (Item 8)

These units meet the standards of UL508 and are listed under guide card #NMTR2, file #59164.

These units are CSA certified under file #LR11543.

*See page 252 for specific part numbers.

Refer to Service Manual P-206.