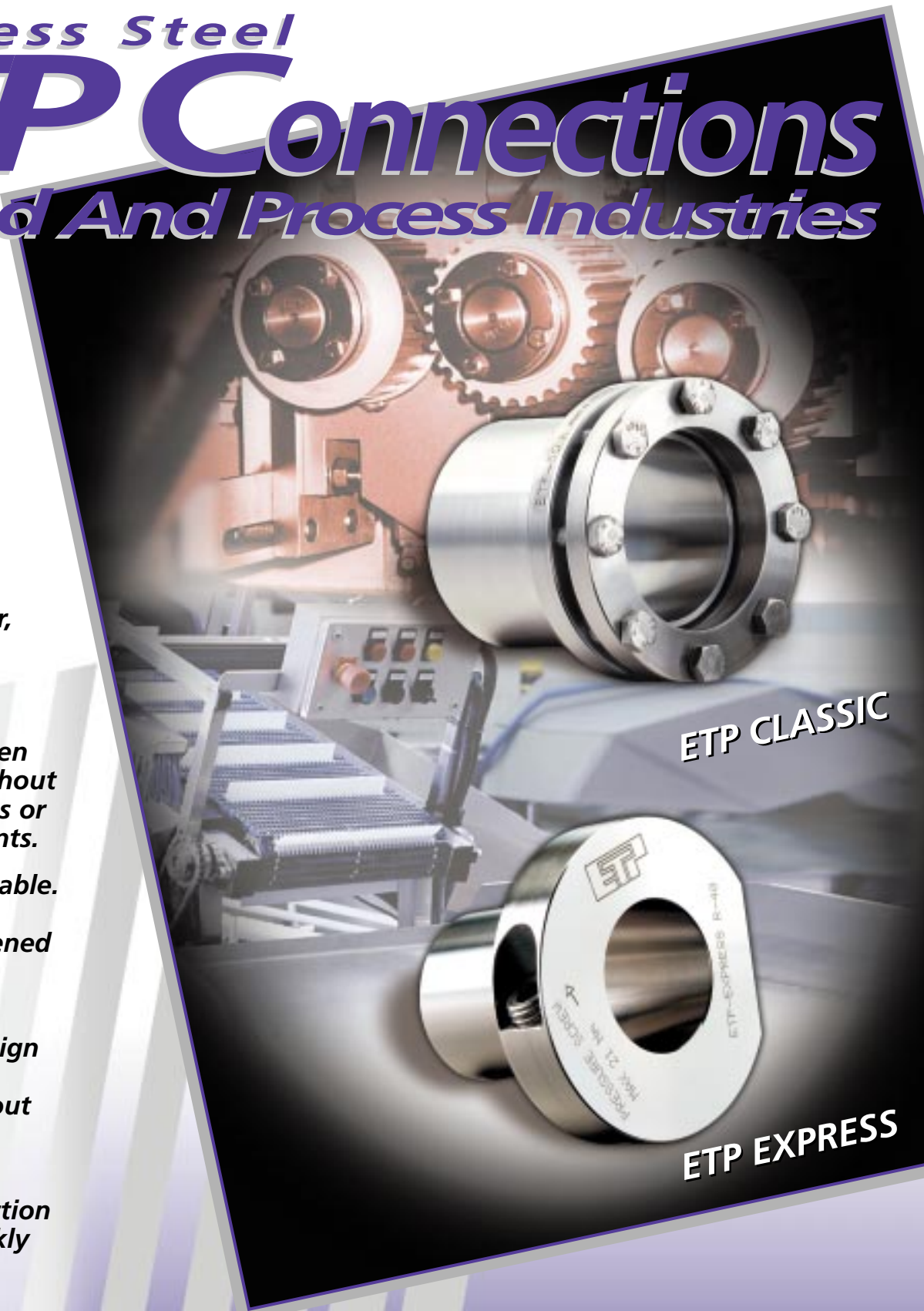


# ////// ZERO-MAX

## *Stainless Steel* **ETP Connections** *For Food And Process Industries*

**MAGZA**  
INDUSTRIAL  
DIST. AUTORIZADO  
MEX (55) 53 63 23 31 MTY (81) 83 54 10 18  
ORO (442) 1 95 72 60 ventas@industrialmagza.com

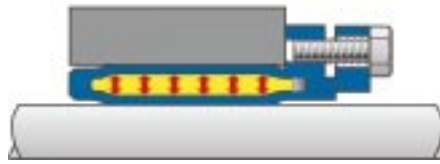
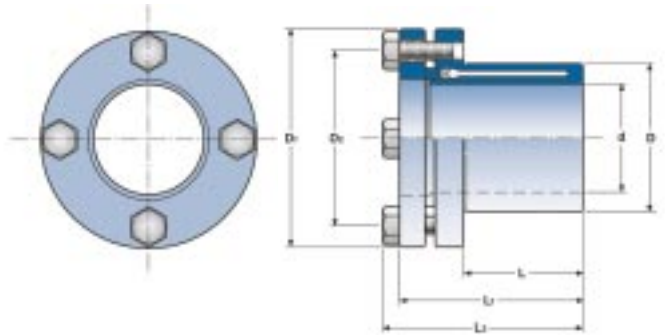
- **Mount shaft components easier, faster and more precisely.**
- **Provide a solid connection between shaft and hub without keyways. No stress or wear to components.**
- **Completely adjustable. Can be quickly tightened or loosened frequently for repositioning.**
- **Stainless steel design handles frequent washdowns without corroding.**
- **Sealed clean lines resist debris collection and clean up quickly without special maintenance.**
- **Flexibility of application.**



**ETP CLASSIC**

**ETP EXPRESS**

# Zero-Max® ETP CLASSIC Stainless Steel

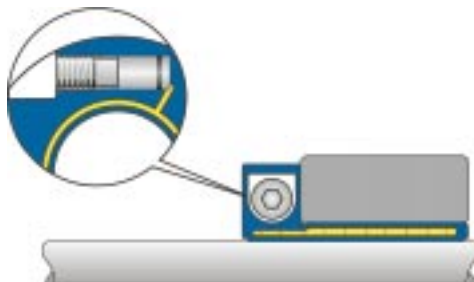
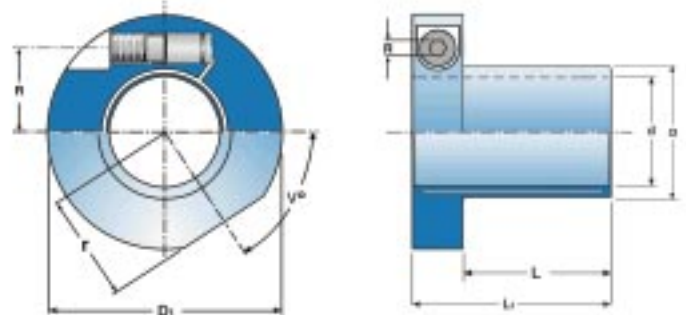


*When the screws are tightened ETP-CLASSIC will create an even surface pressure against the hub and shaft along the entire length.*

DIMENSIONS													
MODEL	d mm	D mm	D1 mm	D2 mm	L mm	L1 mm	L2 mm	T Rated ft. lbs.	F Rated lbs.	Screw Tightening torque ft. lbs.	Hex Head Size mm	No. of Screws	Weight ounces
ETP-R15	15	23	38	28.5	17	30	34	22	1057	4	8	4	4
ETP-R20	20	28	45	35	22	37	41	66	2023	4	8	5	6
ETP-R25	25	34	49	40	27	43	46	129	3147	4	8	7	7
ETP-R30	30	41	57	47.5	32	47	51	188	3822	4	8	7	10
ETP-R40	40	53	70	60.5	43	63	67	443	6744	4	8	9	19
ETP-R50	50	65	83	72.5	53	76	80	959	11690	7	10	9	30

- All stainless steel components including clamping screws, pressure flange, piston, sealing ring, and double walled sleeve.
- Precision Finish.
- Temperature range -22°F to +180°F

# Zero-Max® ETP EXPRESS Stainless Steel



*When the screw is tightened to the recommended torque, the screw has reached the bottom of the bore. ETP-EXPRESS will have created a uniform surface pressure against the shaft and the hub.*

DIMENSIONS													
MODEL	d mm	D mm	D1 mm	L mm	L1 mm	r mm	V° degrees	T Rated ft. lbs.	Axial F Rated lbs.	Radial Force lbs.	Screw Tightening torque ft. lbs.	Hex Head Size mm	Weight ounces
ETP-ER15	15	18	45	25	39	19	40	16	1641	112	4	5	6
ETP-ER20	20	24	50	30	44	22	36	92	2810	225	4	5	7
ETP-ER25	25	30	59	35	49	26	36	188	4586	337	4	5	11
ETP-ER30	30	36	64	40	54	28	33	313	6362	450	4	5	13
ETP-ER35	35	42	70	45	59	31	30	513	8925	562	4	5	16
ETP-ER40	40	48	86	55	75	37	32	878	13376	674	15	8	33
ETP-ER50	50	60	96	60	80	42	29	1512	18434	1012	15	8	43

- Fast t when mounted.
- Uniform surface pressure against shaft and hub prevents damage to the surfaces and enables the use of small diameter hubmounting / dismantling with only one screw.
- Radial tightening of the screw saves space along the shaft.
- Accurate positioning. No axial movemens.
- Concentricity 0.03 mm.
- Temperature range -22°F to +180°F

© Zero-Max 1999 ETP12995 Printed in U.S.A.

**ZERO-MAX**

13200 Sixth Avenue North, Plymouth, Minnesota 55441-5509  
800-533-1731 • (763) 546-4300 • Fax (763) 546-8260 • www.zero-max.com